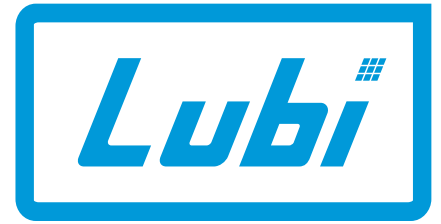


**CSP, MSP, LAP, LFP, LBP,  
LHP, LGP, LLP & LAS Series**

**Drainage, Sewage,  
Grinder & Propeller Pumps**

**50 Hz**



**Passion for Pumps**



# Declaration of Conformity

We, **Lubi** hereby declare under our sole responsibility that the products **CSP, MSP, LAP, LFP, LHP, LAS, LGP** and **LLP** to which this declaration relates, are in conformity with these Council Directives on the approximation of the laws of the EC Member States:

- Machinery Directive (2006/42/EC).  
Standards used: EN 809: 2009 and EN 60204-1: 2006.
- Low Voltage Directive (2006/95/EC).  
Applicable when the rated power is lower than 2.2 kW.  
Standards used: EN 60335-1: 2002 and EN 60335-2-41: 2003.
- Electromagnetic compatibility (2004/108/EC).  
Standards used: EN 61000-6-2 and EN 61000-6-3.

---

Nosotros, **Lubi** declaramos bajo nuestra entera responsabilidad que los productos **CSP, MSP, LAP, LFP, LHP, LAS, LGP** y **LLP** a los cuales se refiere esta declaración, están conformes con las Directivas del Consejo en la aproximación de las leyes de los Estados Miembros del EM:

- Directiva de Maquinaria (2006/42/CE).  
Normas aplicadas: EN 809: 2009 y EN 60204-1: 2006.
- Directiva de Baja Tensión (2006/95/CE).  
Aplicable cuando el índice de potencia es inferior a 2,2 kW.  
Normas aplicadas: EN 60335-1: 2002 y EN 60335-2-41: 2003.
- Compatibilidad electromagnética (2004/108/CE).  
Normas aplicadas: EN 61000-6-2 y EN 61000-6-3.

---

Nous, **Lubi** déclarons sous notre seule responsabilité, que les produits **CSP, MSP, LAP, LFP, LHP, LAS, LGP** et **LLP**, auxquels se réfère cette déclaration, sont conformes aux Directives du Conseil concernant le rapprochement des législations des Etats membres CE relatives aux normes énoncées cidessous:

- Directive Machines (2006/42/CE).  
Normes utilisées: EN 809: 2009 et EN 60204-1: 2006.
- Directive Basse Tension (2006/95/CE).  
Applicable lorsque la puissance nominale est inférieure à 2,2 kW.  
Normes utilisées: EN 60335-1: 2002 et EN 60335-2-41: 2003.
- Compatibilité électromagnétique (2004/108/CE).  
Normes utilisées: EN 61000-6-2 et EN 61000-6-3.



Technical Director





## CSP

Cast Iron Submersible Drainage Pumps (0.25 & 0.50 HP)

4



## MSP

Corrosion Proof Submersible Drainage Pumps (0.25 & 0.50 HP)

5



## LAP

Drainage Pumps (0.5 HP to 3.0 HP)

6



## LFP

Sewage Pumps (1.0 HP to 3.0 HP)

8



## LBP

Stainless Steel Submersible Effluent Vortex Pumps

10



## LHP

Heavy-Duty Sewage Pumps (5.0 HP to 60.0 HP)

12



## LGP

Grinder Pumps (2.0 HP to 5.0 HP)

18



## LLP

Large Volume Water Pumps (3.0 HP to 15.0 HP)

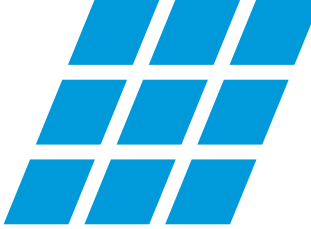
20



## LAS

Heavy-Duty Construction Drainage Pumps (1.5 HP to 15.0 HP)

22



## Performance Range

- ➔ Flow rate up to 11300 l/h (11.3 m<sup>3</sup>/h)
- ➔ Dynamic head up to 11 m.

## Applications

- ➔ For clean water containing solids up to 10 mm grain size.
- ➔ As a sump pump for household applications.
- ➔ For draining flooded rooms or tanks.
- ➔ Extractions of water from ponds, flowing water or pits for collection of rain water.

## Features

- ➔ Rugged cast iron pump housing, impeller, and motor casing.
- ➔ 230V thermally protected energy efficient motor.
- ➔ Oil filled motor for better heat dissipation.
- ➔ Permanently lubricated ball bearings.
- ➔ Extra long 4.6 mtrs. (15 feet) grounded power cord.
- ➔ 1½" BSP Discharge pipe size.
- ➔ Stainless steel shaft
- ➔ Stainless steel fasteners.
- ➔ Provide with 1½" flexible hose connection and clamp.
- ➔ Available with Sic/Sic mechanical shaft seal for pumping sandy water (optional).

## Operating Conditions

- ➔ Ambient temperature : Max. +50°C
- ➔ Liquid temperature : 0°C to +50°C
- ➔ Max. Starts per hour : 30 at regular intervals.
- ➔ Duty Rating :
  - S1 - When pump is completely submerged.
  - S3 - When pump is partially submerged.

## Model Designation

|  |                  |         |
|--|------------------|---------|
| Automatic submersible drainage pump with | Models available |         |
|  | 0.18 kW          | 0.37 kW |
| * Wide Angle Float Switch                | CSP521T          | CSP551T |

## Motor Specifications

- ➔ 230 V, 50 Hz, 1 Phase, 2850 RPM
- Oil Filled ; Thermally Protected

## Direction of Rotation

- ➔ Clockwise as seen from the motor rear end.

## Performance Table

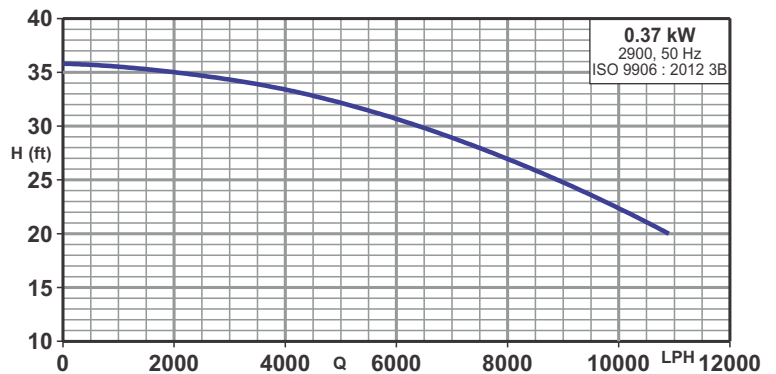
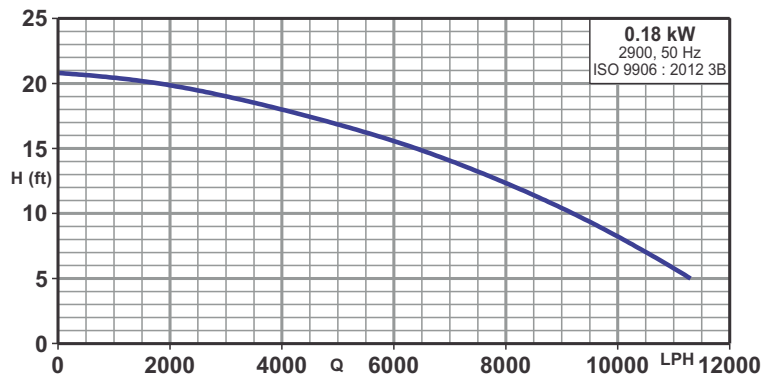
| Model   | kW   | HP   | Amp | m <sup>3</sup> /h<br>l/h | Flow Rate (m <sup>3</sup> /h) |      |      |     |     |     |     | Max. Lift<br>(no flow)<br>(mtrs) | Max. Solid<br>Passage<br>Size (mm) | Dimensions & Weight Data |                |                       |                             | Cable data<br>Cable x core x size (mm <sup>2</sup> ) x<br>length (m) x Material |
|---------|------|------|-----|--------------------------|-------------------------------|------|------|-----|-----|-----|-----|----------------------------------|------------------------------------|--------------------------|----------------|-----------------------|-----------------------------|---|
|         |      |      |     |                          | 1                             | 2    | 4    | 6   | 8   | 10  | 11  |                                  |                                    | Major<br>Width<br>(mm)   | Height<br>(mm) | Gross<br>Weight (kg.) | Volume<br>(m <sup>3</sup> ) |   |
| CSP521T | 0.18 | 0.25 | 2.0 |                          | 6.2                           | 6.1  | 5.5  | 4.7 | 3.7 | 2.5 | 1.7 | 6.4                              | 10                                 | 229                      | 241            | 13.5                  | 0.023                       | 1 x 3 x 1.0 x 5 x PVC   |
| CSP551T | 0.37 | 0.50 | 3.0 |                          | 10.8                          | 10.7 | 10.1 | 9.4 | 8.2 | 6.8 | -   | 11                               | 10                                 | 254                      | 254            | 18.0                  | 0.028                       | 1 x 3 x 1.0 x 5 x PVC   |

**Note :** The above shown performance is nominal performance and may vary from pump to pump.



Submersible drainage pump with Wide angle float switch

## Performance Curve



## Minimum sump pit diameter

| Model     | Minimum Sump Pit Dia. (mm) |
|-----------|----------------------------|
| CSP521T   | *                          |
| * CSP551T | 406                        |

## Performance Range

- ➔ Flow rate up to 20900 l/h (20.9 m<sup>3</sup>/h)
- ➔ Dynamic head up to 13 m.

## Applications

- ➔ For clean water containing solids up to 10 mm grain size.
- ➔ As a sump pump for household applications.
- ➔ For draining flooded rooms or tanks.
- ➔ Extractions of water from ponds, flowing water or pits for collection of rain water.

## Features

- ➔ Corrosion resistant composite construction.
- ➔ 230V thermally protected energy efficient motor.
- ➔ Oil filled motor for better heat dissipation.
- ➔ Permanently lubricated ball bearings.
- ➔ Extra long 4.6 mtrs. (15 feet) grounded power cord.
- ➔ 1½" Discharge pipe size.
- ➔ Stainless steel shaft
- ➔ Stainless steel fasteners.
- ➔ Provide with 1½" flexible hose connection and clamp.
- ➔ Available with Sic/Sic mechanical shaft seal for pumping sandy water (optional).

## Operating Conditions

- ➔ Ambient temperature : Max. +45°C
- ➔ Liquid temperature : +5°C to +45°C
- ➔ Max. Starts per hour : 30 at regular intervals.
- ➔ Duty Rating :
  - S1 - When pump is completely submerged.
  - S3 - When pump is partially submerged.

## Model Designation

| Automatic submersible drainage pump with | Models available |         |
|--|------------------|---------|
|  | 0.18 kW          | 0.37 kW |
| * Wide Angle Float Switch                | MSP521T          | MSP551T |

## Motor Specifications

- ➔ 230 V, 50 Hz, 1 Phase, 2850 RPM (syn.)
- Oil Filled ; Thermally Protected

## Direction of Rotation

- ➔ Clockwise as seen from the motor rear end.

## Performance Table

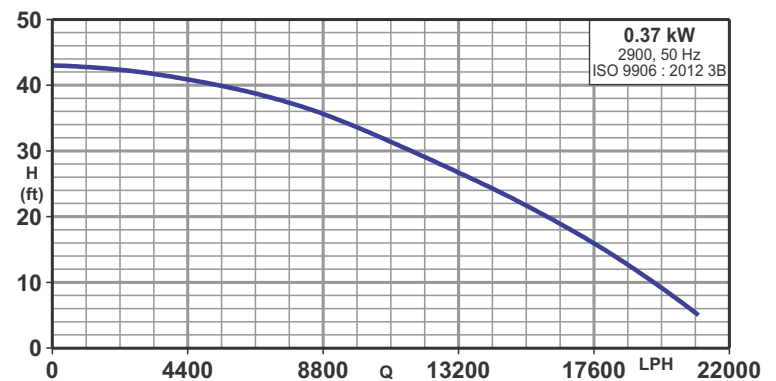
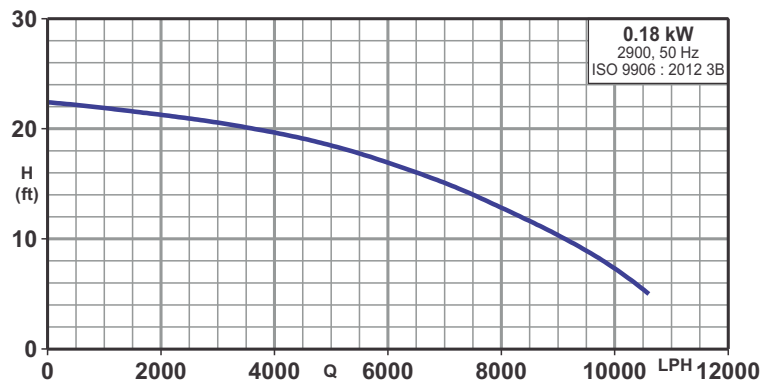
| Model   | kW   | HP   | Amp | m <sup>3</sup> /h<br>l/h | 2     | 4    | 6    | 8    | 10   | 12    | 14    | 16    | 18    | 20    | Max. Lift<br>(no flow)<br>(mtrs) | Max. Solid<br>Passage<br>Size (mm) | Dimensions & Weight Data |                        |                |                       | Cable data<br>cable x core x<br>size (mm <sup>2</sup> ) x<br>length (m) x Material |
|---------|------|------|-----|--------------------------|-------|------|------|------|------|-------|-------|-------|-------|-------|----------------------------------|------------------------------------|--------------------------|------------------------|----------------|-----------------------|--|
|         |      |      |     |                          | H (m) | 2000 | 4000 | 6000 | 8000 | 10000 | 12000 | 14000 | 16000 | 18000 |                                  |                                    | 20000                    | Major<br>Width<br>(mm) | Height<br>(mm) | Gross<br>Weight (kg.) |  |
| MSP521T | 0.18 | 0.25 | 2.0 |                          | 6.5   | 5.9  | 5.2  | 3.9  | 2.2  | -     | -     | -     | -     | -     | 6.8                              | 10                                 | 241                      | 241                    | 8.0            | 0.022                 | 1 x 3 x 1.0 x 5 x PVC  |
| MSP551T | 0.37 | 0.50 | 3.0 |                          | 12.9  | 12.5 | 12   | 11.2 | 10.2 | 8.9   | 7.7   | 6.1   | 4.5   | 2.5   | 13                               | 10                                 | 267                      | 267                    | 9.0            | 0.028                 | 1 x 3 x 1.0 x 5 x PVC  |

**Note :** The above shown performance is nominal performance and may vary from pump to pump.



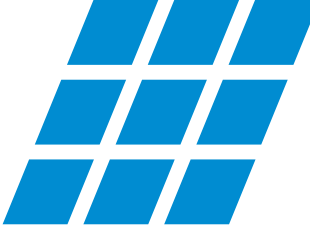
**Submersible drainage pump with Wide angle float switch**

## Performance Curve



## Minimum sump pit diameter

| Model   | Minimum Sump Pit Dia. (mm) |
|---------|----------------------------|
| MSP521T | *                          |
| *       | MSP551T                    |
|         | 432                        |



## Performance Range

- Flow rate up to 1000 l/min. (60 m<sup>3</sup>/h)
- Dynamic head up to 29 m.

## Applications

- Slushy water, waste water without solids, sump drainage.
- Drainage application, flood control.
- Dewatering for fish pond or basement.

## Features

- New design for light weight, elegant shape with best quality.
- Unfastening the bolts between the oil casing and the upper pump casing allows the body to be separated for easy maintenance.
- All pumps are furnished with double mechanical seal. All pumps up to 0.75 kW have carbon/ceramic sealing faces at both water end and motor end. All pumps starting with 1.5 kW and above have Sic sealing faces at the water end and carbon/ceramic sealing faces at the motor end.
- Available with Sic/Sic mechanical Shaft seal for pumping sandy water for 0.75 kW (optional).

## Special Features on Request

- Other voltages.
- Available in 60Hz.

## Direction of Rotation

- Clockwise as seen from the motor rear end.

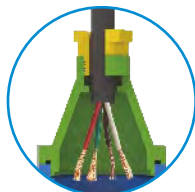
## Thermal overload protector

- Equipped with Automatic reset motor protector, prevents motor from burning due to high temperature/phase failure/voltage drop and lock impeller.



## Cable base

- Epoxy resin seal cable base to prevent water intrusion into motor through the cable wire.



## U Type Impeller

- This impeller can generate rapid rotating vortex to handle fluid mixed with long fiber, the majority of abrasive solids do not touch impeller to minimize impeller wear.



## Float Switch

- Excellent quality float switch Provided with epoxy resin sealed connector.



## Motor

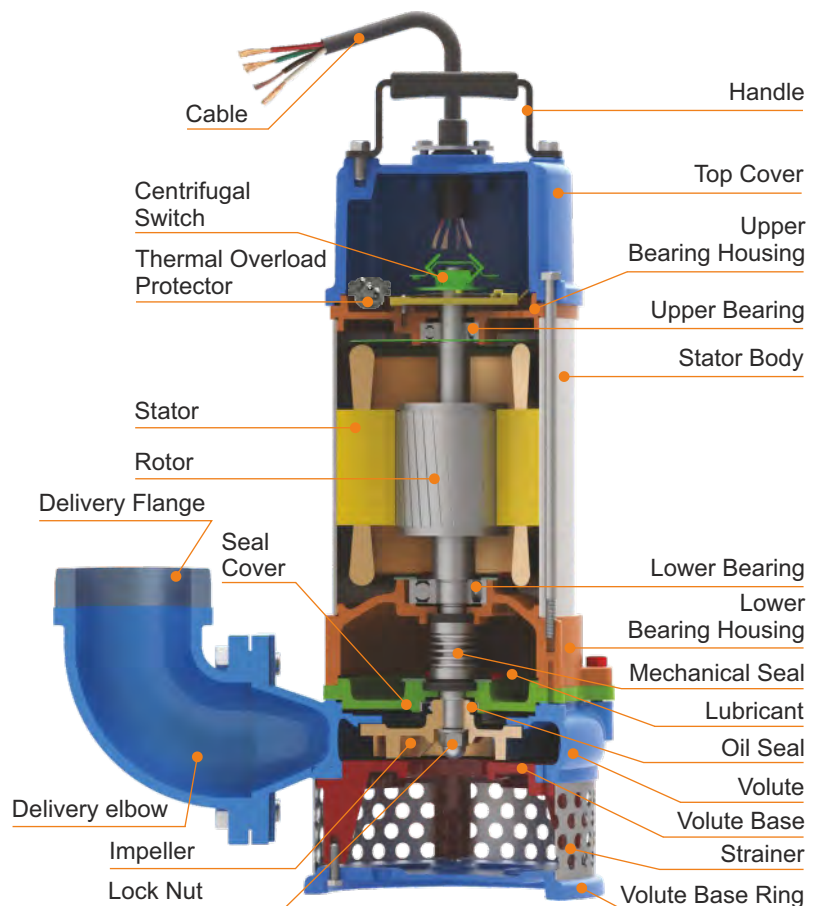
- 2 - pole dry submersible motor
- 50Hz (n = 2900 RPM)
- Single phase : 230V +5 - 15 %
- Three phase : 400V +5 -15 %
- Protection IP 68
- Insulation class : F

## Operating Conditions

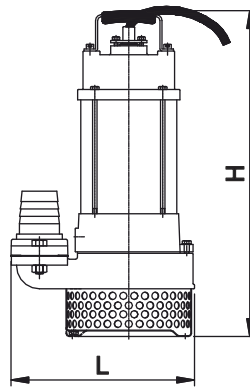
- Ambient temperature : Max. +50°C
- Liquid temperature : 0°C to +50°C
- Max. Starts per hour : 30 at regular intervals.
- Duty Rating :
  - S1 - When pump is completely submerged.
  - S3 - When pump is partially submerged.

## Float Switch Pump

- The pumps are equipped with wide angle on/off level control float switch for easy and simple automatic operation.
- Applications : Slushy water, dewatering, drainage application.
- Type : 0.37 - 2.2 kW Single-phase pumps.  
0.37 - 2.2 kW Three-phase pumps.



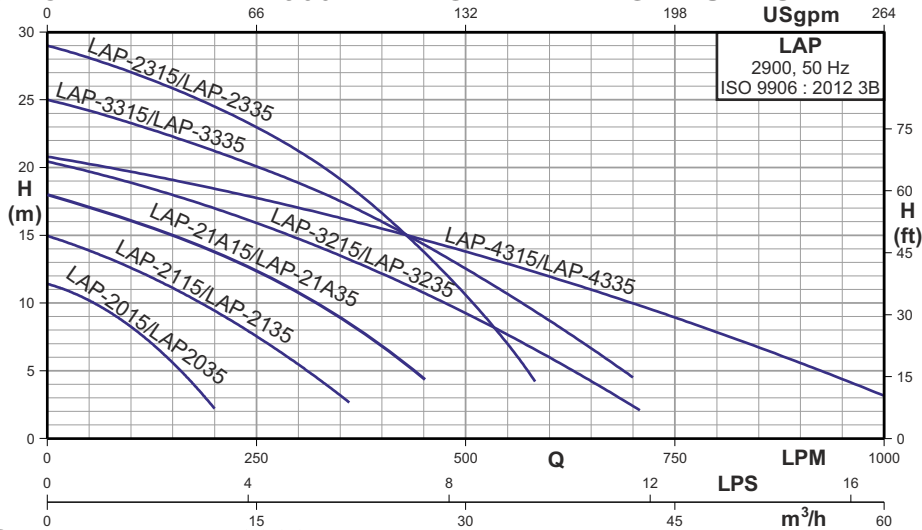
General Pump Features



DIMENSIONS

| Model            |                  | Disc. mm (inch) | Dimensions (mm) |       |        | Solid Passage mm | Net Weight (kg.) | Gross Weight (kg.) | Volume (m <sup>3</sup> ) | Cable data cable x core x size (mm <sup>2</sup> ) x length (m) x Material |
|------------------|------------------|-----------------|-----------------|-------|--------|------------------|------------------|--------------------|--------------------------|---|
| Single Phase     | Three Phase      |                 | Length          | Width | Height |                  |                  |                    |                          |   |
| LAP-2015/2015F   | -                | 50 (2")         | 230             | 161   | 365    | 8                | 15.0             | 17.0               | 0.032                    | 1 x 3 x 1.0 x 5 x PVC   |
| -                | LAP-2035/2035F   |                 | 230             | 161   | 365    |                  | 15.0             | 17.0               | 0.032                    | 1 x 4 x 1.0 x 5 x PVC   |
| LAP-2115/2115F   | -                | 50 (2")         | 277             | 178   | 440    | 10               | 19.0             | 21.0               | 0.045                    | 1 x 3 x 1.0 x 5 x PVC   |
| -                | LAP-2135/2135F   |                 | 277             | 178   | 440    |                  | 18.0             | 20.0               | 0.045                    | 1 x 4 x 1.0 x 5 x PVC   |
| LAP-3215/3215F   | -                | 80 (3")         | 412             | 208   | 569    | 11               | 44.0             | 69.0               | 0.146                    | 1 x 3 x 2.0 x 8 x PVC   |
| -                | LAP-3235/3235F   |                 | 412             | 208   | 470    |                  | 40.0             | 65.0               | 0.146                    | 1 x 4 x 1.8 x 8 x PVC   |
| LAP-2315/2315F   | -                | 50 (2")         | 280             | 216   | 572    | 11               | 46.0             | 70.0               | 0.146                    | 1 x 3 x 3.5 x 8 x PVC   |
| -                | LAP-2335/2335F   |                 | 280             | 216   | 493    |                  | 43.0             | 66.0               | 0.146                    | 1 x 4 x 1.8 x 8 x PVC   |
| LAP-3315/3315F   | -                | 80 (3")         | 385             | 216   | 575    | 11               | 47.0             | 71.0               | 0.146                    | 1 x 3 x 3.5 x 8 x PVC   |
| -                | LAP-3335/3335F   |                 | 385             | 216   | 495    |                  | 43.0             | 67.0               | 0.146                    | 1 x 4 x 1.8 x 8 x PVC   |
| LAP-4315/4315F   | -                | 100 (4")        | 390             | 208   | 584    | 11               | 47.0             | 72.0               | 0.146                    | 1 x 3 x 3.5 x 8 x PVC   |
| -                | LAP-4335/4335F   |                 | 390             | 208   | 495    |                  | 43.0             | 68.0               | 0.146                    | 1 x 4 x 1.8 x 8 x PVC   |
| LAP-21A15/21A15F | -                | 50 (2")         | 277             | 178   | 470    | 10               | 22.0             | 25.5               | 0.050                    | 1 x 3 x 1.5 x 5 x PVC   |
| -                | LAP-21A35/21A35F |                 | 277             | 178   | 470    |                  | 21.0             | 24.5               | 0.050                    | 1 x 4 x 1.0 x 5 x PVC   |

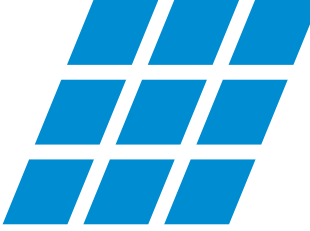
PERFORMANCE CHART AT n = 2900 RPM FOR DRAINAGE PUMPS



PERFORMANCE DATA AT n = 2900 RPM

| Model            |                  | Power |     | Start Method | m <sup>3</sup> /h l/min. | 6    | 9    | 12   | 18   | 24   | 30  | 36  | 45  | 54  |
|------------------|------------------|-------|-----|--------------|--------------------------|------|------|------|------|------|-----|-----|-----|-----|
| Single Phase     | Three Phase      | kW    | HP  |              |                          | 100  | 150  | 200  | 300  | 400  | 500 | 600 | 750 | 900 |
| LAP-2015/2015F   | -                | 0.37  | 0.5 | Capacitor    | 8.3                      | 5.5  | 2.2  | -    | -    | -    | -   | -   | -   | -   |
| -                | LAP-2035/2035F   |       |     | Direct       |                          |      |      |      |      |      |     |     |     |     |
| LAP-2115/2115F   | -                | 0.75  | 1.0 | Capacitor    | 12.5                     | 11   | 9.4  | 5.5  | -    | -    | -   | -   | -   | -   |
| -                | LAP-2135/2135F   |       |     | Direct       |                          |      |      |      |      |      |     |     |     |     |
| LAP-3215/3215F   | -                | 1.50  | 2.0 | Capacitor    | 19.9                     | 18   | 17   | 14.8 | 12.2 | 9.2  | 6   | -   | -   | -   |
| -                | LAP-3235/3235F   |       |     | Direct       |                          |      |      |      |      |      |     |     |     |     |
| LAP-2315/2315F   | -                | 2.20  | 3.0 | Capacitor    | 27                       | 26   | 24.5 | 21.2 | 16.6 | 10.5 | -   | -   | -   | -   |
| -                | LAP-2335/2335F   |       |     | Direct       |                          |      |      |      |      |      |     |     |     |     |
| LAP-3315/3315F   | -                | 2.20  | 3.0 | Capacitor    | 23.3                     | 22.3 | 21.2 | 18.9 | 16   | 12.5 | 9   | -   | -   | -   |
| -                | LAP-3335/3335F   |       |     | Direct       |                          |      |      |      |      |      |     |     |     |     |
| LAP-4315/4315F   | -                | 2.20  | 3.0 | Capacitor    | 19.7                     | 19   | 18.4 | 17   | 15.5 | 13.8 | 12  | 9   | 5.5 | -   |
| -                | LAP-4335/4335F   |       |     | Direct       |                          |      |      |      |      |      |     |     |     |     |
| LAP-21A15/21A15F | -                | 1.10  | 1.5 | Capacitor    | 16.0                     | 15   | 13.8 | 10.7 | 6.9  | -    | -   | -   | -   | -   |
| -                | LAP-21A35/21A35F |       |     | Direct       |                          |      |      |      |      |      |     |     |     |     |

Note : Subscript "F" pumps will be provided with a float switch.



## Performance Range

- Flow rate up to 1000 l/min. (60 m<sup>3</sup>/h)
- Dynamic head up to 20 m.

## Applications

- Drainage of sewage from the building basements, hotel industry, waste water from factories.
- Drainage of sewage from industrial process factories.
- Emptying of septic tanks, cesspits and sewage pump stations.
- Pumping surface and drainage water from garages and sprinkler systems.

## Features

- A precision manufactured motor is achieved utilizing a laminated sheet steel production process combined with the highest standard of quality control. The stator and wiring is impregnated with varnish and then heat dried in an industrial oven. This ensures a 100% quality manufactured motor with stable characteristics and a high efficiency.
- Standard accessories include: VCT cable with an epoxy resin sealed stainless steel cable base, AC thermal motor protector, dual mechanical seal and lip seal.

## Special Features on Request

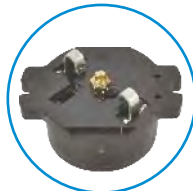
- Other voltages, Available in 60Hz.

## Direction of Rotation

- Clockwise as seen from the motor rear end.

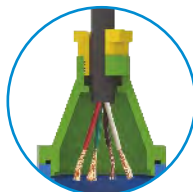
## Thermal overload protector

- Equipped with Automatic reset motor protector, prevents motor from burning due to high temperature/phase failure/voltage drop and lock impeller.



## Cable base

- Epoxy resin seal cable base to prevent water intrusion into motor through the cable wire.



## P Type Impeller

- Semi-open impeller cutting foreign particles, and preventing clog by solid media.



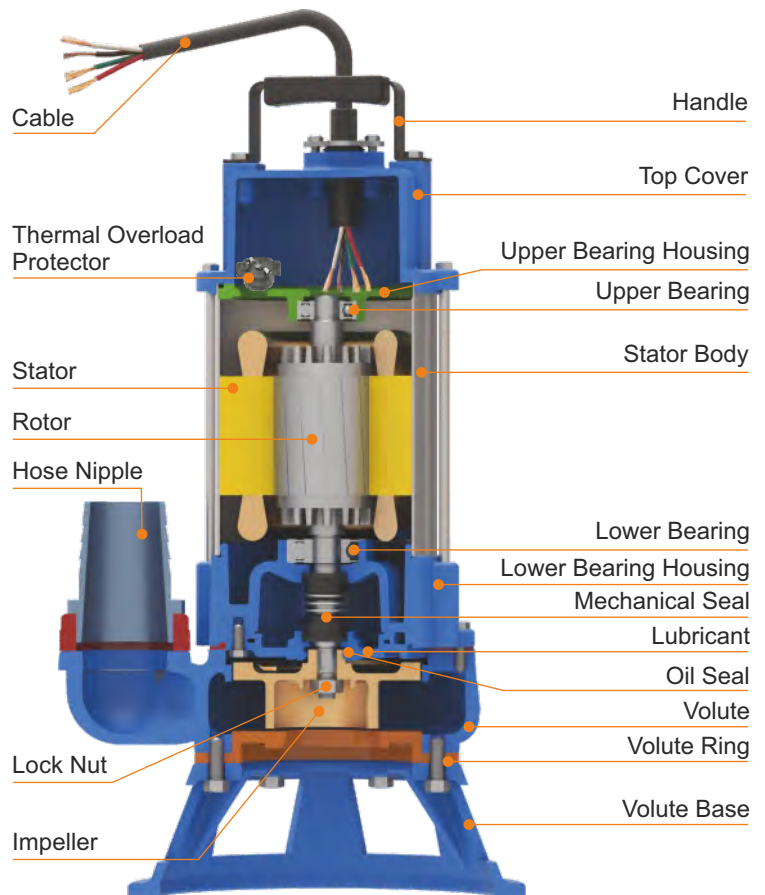
## U Type Impeller

- This impeller can generate rapid rotating vortex to handle fluid mixed with long fiber, the majority of abrasive solids do not touch impeller to minimize impeller wear.



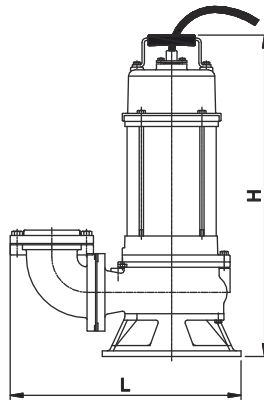
## Specification

|                |                   |  |                                 |
|----------------|-------------------|--|---------------------------------|
| Diameter(mm)   |                   | 50 - 80  |                                 |
| Pumping liquid | Ambient temp      | Max. +50°C   |                                 |
|                | Liquid temp       | 0°C to +50°C   |                                 |
|                | Liquid nature     | Suitable for sewage waste water (with or without solids) from septic tanks, building basements and waste water from factories. |                                 |
| Pump           | Structure         | Impeller   | Semi - open                     |
|                |                   | M.seal   | Double Mechanical seal          |
|                |                   | Bearing  | Ball type bearing               |
|                | Material          | Impeller   | Grey Iron                       |
|                |                   | Volute   | Grey Iron                       |
|                |                   | Upper cover  | Grey Iron                       |
|                |                   | Volute base  | Grey Iron                       |
| M.seal         | Motor side        | Carbon v/s Ceramic (0.75 - 2.2 kW)   |                                 |
|                | Pump side         | Carbon v/s Ceramic (0.75 kW)<br>Silicon Carbide v/s Silicon Carbide (1.5 - 2.2 kW)   |                                 |
| Motor          | Insulation        |  | F Class                         |
|                | Frequency         |  | 50 Hz                           |
|                | Thermal Protector |  | Automatic reset motor protector |
|                | Material          | Stator body  | S.S. AISI 304                   |
|                |                   | Shaft  | S.S. AISI 410                   |
|                |                   | Cable  | PVC                             |
| Protection     |                   | IP 68  |                                 |
| Duty           |                   | S1 - When pump is completely submerged.<br>S3 - When pump is partially submerged.  |                                 |
| Voltage        |                   | 1 Ph. 230 V +5%/-15%, 3 Ph. 400 V +5%/-15%   |                                 |





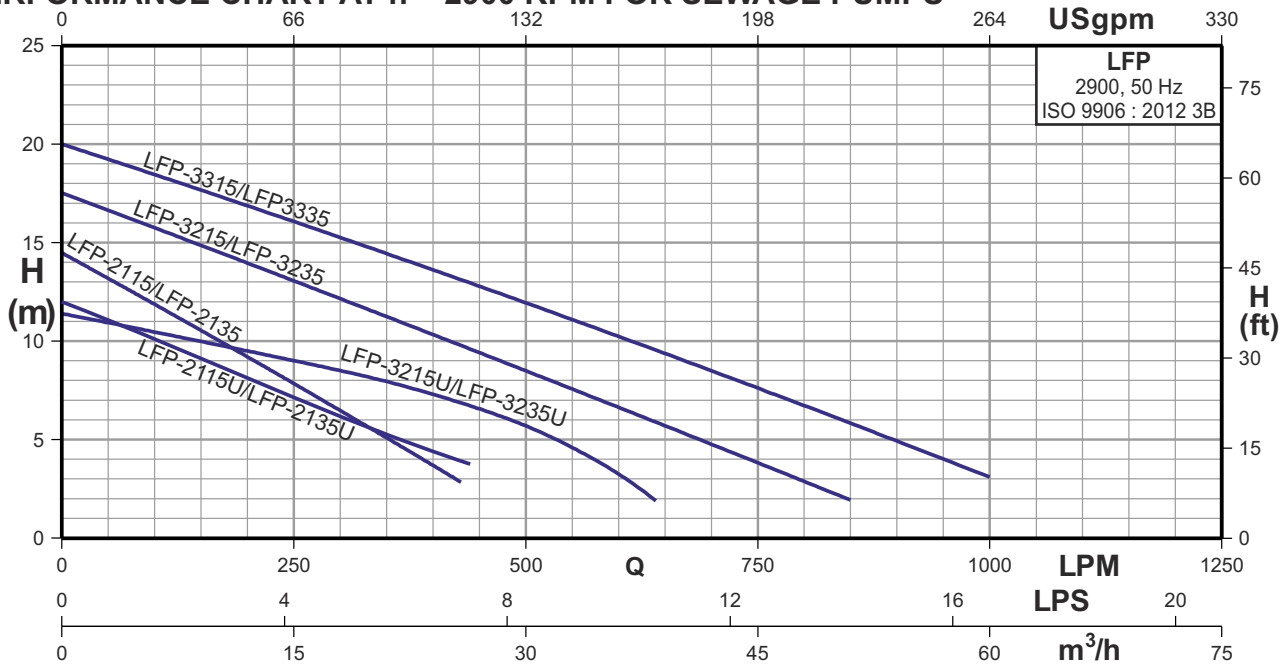
## General Pump Features



## DIMENSIONS

| Model            |                  | Disc. mm (Inch) | Impeller Type | Dimensions (mm) |       |        | Solid Passage (mm) | Net Weight (kg.) | Gross Weight (kg.) | Volume (m <sup>3</sup> ) | Cable data cable x core x size (mm <sup>2</sup> ) x length (m) x Material |
|------------------|------------------|-----------------|---------------|-----------------|-------|--------|--------------------|------------------|--------------------|--------------------------|---|
| Single Phase     | Three Phase      |                 |               | Length          | Width | Height |                    |                  |                    |                          |   |
| LFP-2115/2115F   | -                | 50 (2")         | P             | 304             | 235   | 475    | 23                 | 21.0             | 23.0               | 0.072                    | 1 x 3 x 1.0 x 5 x PVC   |
| -                | LFP-2135/2135F   |                 |               | 304             | 235   | 475    |                    | 20.0             | 22.0               | 0.072                    | 1 x 4 x 1.0 x 5 x PVC   |
| LFP-2115U/2115UF | -                | 50 (2")         | U             | 265             | 192   | 455    | 35                 | 21.0             | 23.0               | 0.072                    | 1 x 3 x 1.0 x 5 x PVC   |
| -                | LFP-2135U/2135UF |                 |               | 265             | 192   | 455    |                    | 20.0             | 22.0               | 0.072                    | 1 x 4 x 1.0 x 5 x PVC   |
| LFP-3215/3215F   | -                | 80 (3")         | P             | 432             | 260   | 600    | 32                 | 44.0             | 71.0               | 0.179                    | 1 x 3 x 2.0 x 8 x PVC   |
| -                | LFP-3235/3235F   |                 |               | 432             | 260   | 505    |                    | 40.0             | 67.0               | 0.179                    | 1 x 4 x 1.8 x 8 x PVC   |
| LFP-3315/3315F   | -                | 80 (3")         | P             | 432             | 260   | 620    | 35                 | 48.0             | 73.0               | 0.179                    | 1 x 3 x 3.5 x 8 x PVC   |
| -                | LFP-3335/3335F   |                 |               | 432             | 260   | 530    |                    | 43.0             | 69.0               | 0.179                    | 1 x 4 x 1.8 x 8 x PVC   |
| LFP-3215U/3215UF | -                | 80 (3")         | U             | 408             | 258   | 610    | 15                 | 44.0             | 71.0               | 0.179                    | 1 x 3 x 2.0 x 8 x PVC   |
| -                | LFP-3235U/3235UF |                 |               | 408             | 258   | 530    |                    | 40.0             | 67.0               | 0.179                    | 1 x 4 x 1.8 x 8 x PVC   |

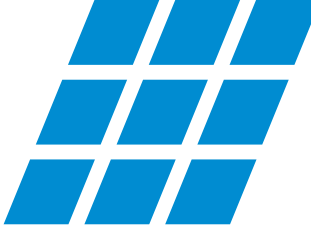
## PERFORMANCE CHART AT n = 2900 RPM FOR SEWAGE PUMPS



## PERFORMANCE DATA AT n = 2900 RPM

| Model            |                  | Power |     | Start Method | m <sup>3</sup> /h<br>l/min. | 3    | 6    | 12   | 18   | 24   | 36   | 48  | 60   |
|------------------|------------------|-------|-----|--------------|-----------------------------|------|------|------|------|------|------|-----|------|
| Single Phase     | Three Phase      | kW    | HP  |              |                             | 50   | 100  | 200  | 300  | 400  | 600  | 800 | 1000 |
| LFP-2115/2115F   | -                | 0.75  | 1.0 | Capacitor    | H (m)                       | 13.2 | 12   | 9.2  | 6.5  | 3.7  | -    | -   | -    |
| -                | LFP-2135/2135F   |       |     | Direct       |                             |      |      |      |      |      |      |     |      |
| LFP-2115U/2115UF | -                | 0.75  | 1.0 | Capacitor    |                             | 11   | 10.2 | 8.1  | 6.3  | 4.4  | -    | -   | -    |
| -                | LFP-2135U/2135UF |       |     | Direct       |                             |      |      |      |      |      |      |     |      |
| LFP-3215/3215F   | -                | 1.50  | 2.0 | Capacitor    |                             | 16.6 | 15.8 | 14   | 12.1 | 10.3 | 6.5  | 2.9 | -    |
| -                | LFP-3235/3235F   |       |     | Direct       |                             |      |      |      |      |      |      |     |      |
| LFP-3315/3315F   | -                | 2.20  | 3.0 | Capacitor    |                             | 19.3 | 18.5 | 16.9 | 15.3 | 13.6 | 10.3 | 6.7 | 3.2  |
| -                | LFP-3335/3335F   |       |     | Direct       |                             |      |      |      |      |      |      |     |      |
| LFP-3215U/3215UF | -                | 1.50  | 2.0 | Capacitor    |                             | 10.9 | 10.5 | 9.5  | 8.5  | 7.3  | 3.2  | -   | -    |
| -                | LFP-3235U/3235UF |       |     | Direct       |                             |      |      |      |      |      |      |     |      |

Note : Subscript "F" pumps will be provided with a float switch.



## Performance Range

- Flow rate up to 450 l/min. (27 m<sup>3</sup>/h)
- Dynamic head up to 15 m.

## Applications

- All applications of pumping and draining effluent, civil and industrial sewage with suspended solids.
- Pumping stations with one or more pumps for civil and industrial plants.

## Features

- Light weight, portable.
- Made out of stainless steel AISI 304 sheet metal.
- High quality mechanical shaft seal.
- Class-F motor insulation which can handle higher motor temperature.
- Thermally protected motors which prevents motor from burn out.
- Vortex impeller designs to handle solids laden sewage and/or fibrous substance.
- A fully waterproof IP 68 structure, combined with a high grade silicon carbide mechanical seal.
- Permanently lubricated ball bearings.
- Solid passage size up to 40 mm.

## Vortex Impeller



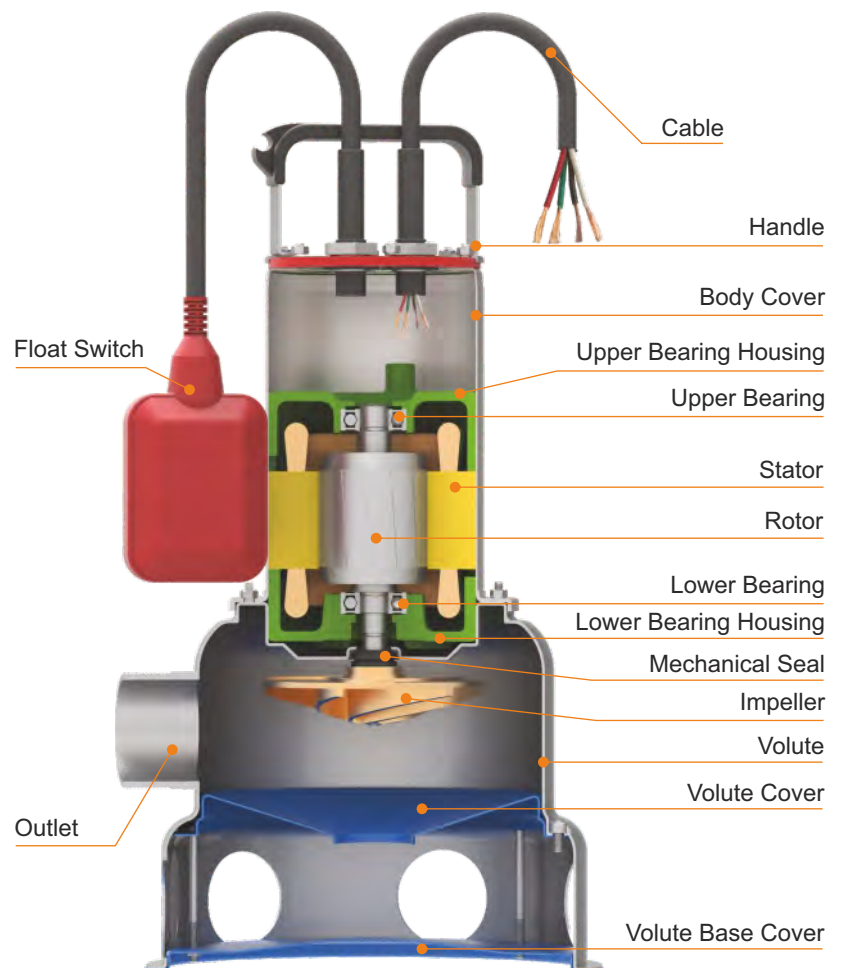
- Vortex impellers create a hydraulic passage, allowing long fibrous materials to pass through without any contact with the impeller.

## Specification

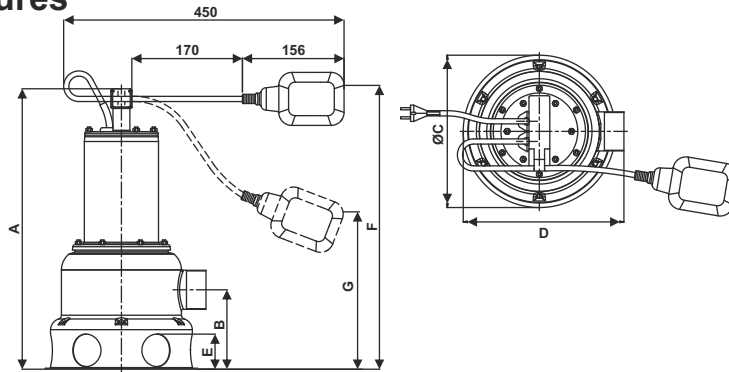
|                |   |  |                   |
|----------------|---|--|-------------------|
| Pumping liquid | Ambient temp  | Max. +50°C   |                   |
|                | Liquid temp   | 0°C to +50°C   |                   |
|                | Liquid nature   | Pumps are suitable for drainage waste or sump drainage water with or without solids. |                   |
| Pump           | Structure   | Impeller   | Vortex            |
|                |   | M.seal   | Mechanical seal   |
|                |   | Bearing  | Ball type bearing |
|                | Material  | Impeller   | S.S. AISI 304L    |
|                |   | Volute   | S.S. AISI 304L    |
|                |   | Upper cover  | S.S. AISI 304L    |
|                |   | M.seal   | Sic/Sic           |
| Motor          | Type  | Dry motor  |                   |
|                | Insulation  | F Class  |                   |
|                | Frequency   | 50 Hz  |                   |
|                | Material  | Stator body  | S.S. AISI 304L    |
|                |   | Shaft  | S.S AISI 410      |
|                |   | Cable  | PVC               |
| Protection     | IP 68   |  |                   |
| Duty           | S1 - When pump is completely submerged<br>S3 - When pump is partially submerged |  |                   |
| Voltage        | 1 Ph. 230 V +5/-15%, 3 Ph. 400 V +5/-15%  |  |                   |

## Direction of Rotation

- Clockwise as seen from the motor rear end.



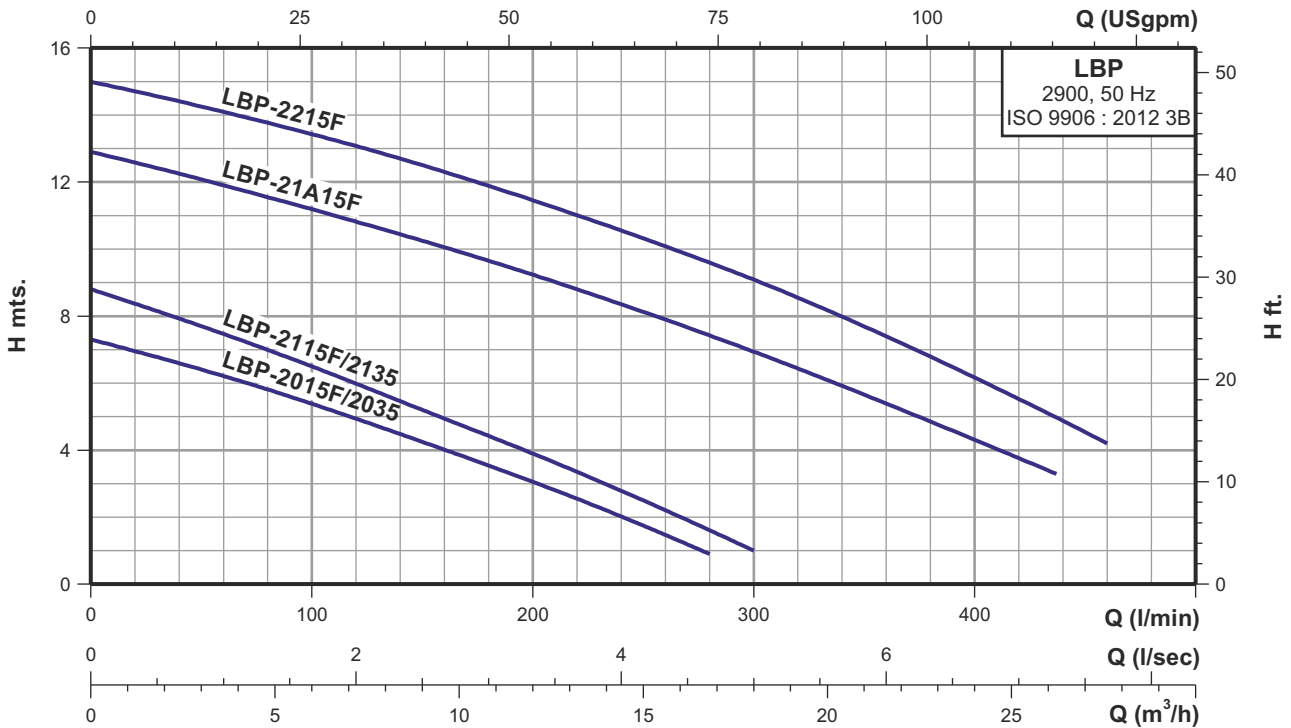
## General Pump Features



## DIMENSIONS

| Model        |                | Disc. mm (Inch) | Dimensions (mm) |     |     |     |    |     |     | Net Weight (kg.) | Gross Weight (kg.) | Volume (m <sup>3</sup> ) | Cable data cable x core x size (mm <sup>2</sup> ) x length (m) x Material |
|--------------|----------------|-----------------|-----------------|-----|-----|-----|----|-----|-----|------------------|--------------------|--------------------------|---|
| Single Phase | Three Phase    |                 | A               | B   | C   | D   | E  | F   | G   |                  |                    |                          |   |
| LBP 2015F    | -              | 50 (2")         | 430             | 123 | 235 | 241 | 55 | 550 | 290 | 9.5              | 11.8               | 0.045                    | 1 x 3 x 1.0 x 5 x PVC   |
| -            | LBP 2035/2035F | 50 (2")         | 430             | 123 | 235 | 241 | 55 | 550 | 290 | 9.5              | 11.8               | 0.045                    | 1 x 4 x 1.0 x 5 x PVC   |
| LBP 2115F    | -              | 50 (2")         | 430             | 123 | 235 | 241 | 55 | 550 | 290 | 9.5              | 11.8               | 0.045                    | 1 x 3 x 1.0 x 5 x PVC   |
| -            | LBP 2135       | 50 (2")         | 430             | 123 | 235 | 241 | 55 | 550 | 290 | 10.5             | 13.0               | 0.045                    | 1 x 4 x 1.0 x 5 x PVC   |
| LBP 21A15F   | -              | 50 (2")         | 498             | 123 | 235 | 241 | 55 | 550 | 290 | 13.8             | 15.3               | 0.050                    | 1 x 3 x 1.5 x 5 x PVC   |
| LBP 2215F    | -              | 50 (2")         | 518             | 123 | 235 | 241 | 55 | 550 | 290 | 15.2             | 16.7               | 0.050                    | 1 x 3 x 1.5 x 8 x PVC   |

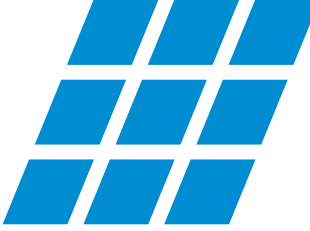
## PERFORMANCE CHART AT n = 2900 RPM FOR SS SUBMERSIBLE EFFLUENT VORTEX PUMPS



## PERFORMANCE DATA AT n = 2900 RPM

| MODEL        |                | POWER |     | START METHOD | m <sup>3</sup> /h<br>l/min | 3     | 6    | 9    | 12   | 15   | 18  | 21  | 24  | 27  |
|--------------|----------------|-------|-----|--------------|----------------------------|-------|------|------|------|------|-----|-----|-----|-----|
| Single Phase | Three Phase    | kW    | HP  |              |                            | H (m) | 50   | 100  | 150  | 200  | 250 | 300 | 350 | 400 |
| LBP 2015F    | -              | 0.37  | 0.5 | Capacitor    | H (m)                      | 6.4   | 5.4  | 4.3  | 3.1  | 1.7  | -   | -   | -   | -   |
| -            | LBP 2035/2035F | 0.37  | 0.5 | Direct       |                            | 6.4   | 5.4  | 4.3  | 3.1  | 1.7  | -   | -   | -   | -   |
| LBP 2115F    | -              | 0.75  | 1.0 | Capacitor    |                            | 7.6   | 6.5  | 5.3  | 3.9  | 2.5  | 1   | -   | -   | -   |
| -            | LBP 2135       | 0.75  | 1.0 | Direct       |                            | 7.6   | 6.5  | 5.3  | 3.9  | 2.5  | 1   | -   | -   | -   |
| LBP 21A15F   | -              | 1.10  | 1.5 | Capacitor    |                            | 12    | 11.2 | 10.3 | 9.2  | 8.1  | 6.9 | 5.7 | 4.3 | -   |
| LBP 2215F    | -              | 1.50  | 2.0 | Capacitor    |                            | 14.3  | 13.4 | 12.5 | 11.5 | 10.4 | 9.1 | 7.7 | 6.1 | 4.6 |

Note : Subscript "F" pumps will be provided with a float switch.



### Performance Range

- Flow rate up to 28300 l/min. (1700 m<sup>3</sup>/h)
- Dynamic head up to 49 m.

### Applications

- Drainage of waste water from the liberation tank, purifying tank and sewage tank in water treatment plant.
- Drainage of waste water containing fibrous additives from leather factory, dyeing factory and food processing factory.
- Sewage management, accumulated water, septic tank, stock farm.
- Pumping sewage from single and multi family dwellings.
- Pumping sewage from hotels, restaurants, schools and public buildings.

### Features

- International standard design : VCT cable, thermal overload protector, silicon carbide mechanical seal, high grade cast iron, good quality and performance.
- A water detector is provided in the seal chamber. In case of seal failure if water enters the seal chamber, a signal can be sent to the control panel so that the pump operator is made aware of a potential seal leakage problem.
- P / E Multiple impeller designs to handle solids laden sewage and/or fibrous substance.
- For Extra protection, an oil seal ring has been installed under the oil chamber. This lip seal helps prevent the ingress of silt and sand into the lower seal chamber.
- Superior abrasion resistant mechanical seal manufactured with silicon carbide to ensure the best seal effect.
- Full range offering low to high head and flow capabilities, with compact and easy installation. Also available with Guide Rail System, which allows automatic remote connection and disconnection without entering the pit.

### Special Features on request

- Other Voltages, Available in 60Hz.

### Direction of Rotation

- Clockwise as seen from the motor rear end.

### Thermal overload protector

- Equipped with Automatic reset motor protector, prevents motor from burning due to high temperature/phase failure/voltage drop and lock impeller.

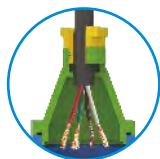


### Miniature Thermal Protector

- Miniature Thermal Protector (MTP) is embedded in the windings of the motor. The MTP will transmit a signal to a control panel when windings temperature reaches a set point. This feature is available in 11 kW & above models only.

### Cable base

- Epoxy resin seal cable base to prevent water intrusion into motor through the cable wire.



### P Type Impeller

- Semi-open impeller enable cutting of delicate materials to prevent clogging.



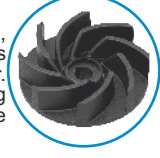
### E Type Impeller

- Single channel non-clog impeller, allows large solids passage preventing clogging and allowing effective drainage/dewatering for higher head applications with solids laden media (for 7.5 kW to 22 kW).



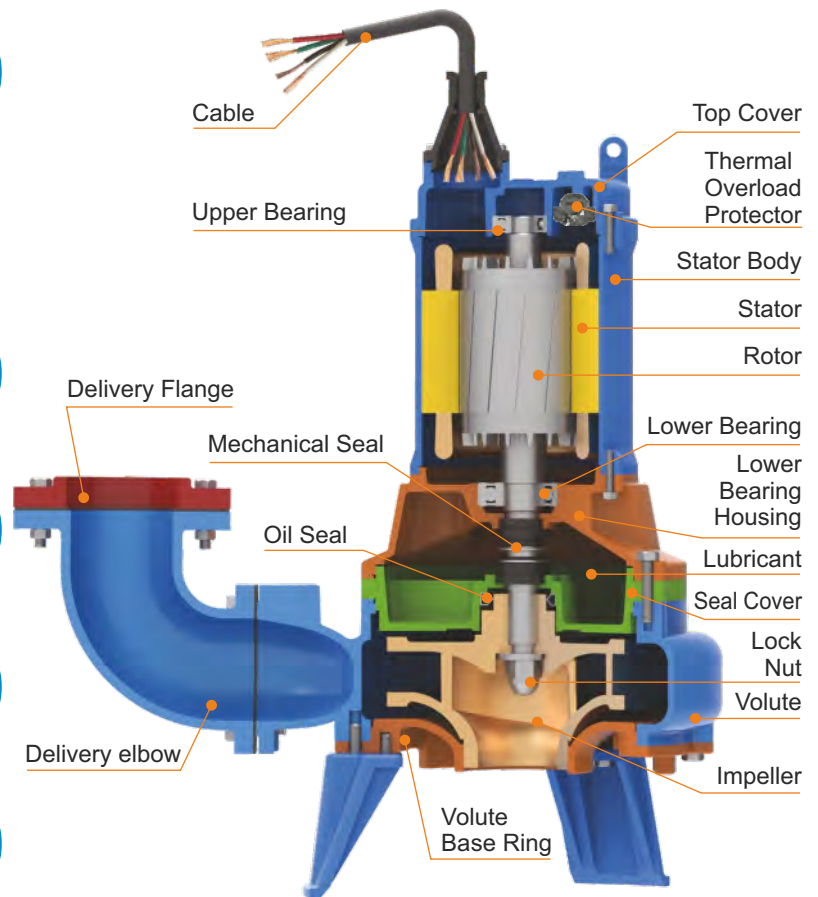
### U Type Impeller

- Vortex impellers create a hydraulic passage, allowing long fibrous materials to pass through without any contact with the impeller. Pump of U type impeller (3 Phase) operating in a higher current when reverse, please adjust into fit directions.

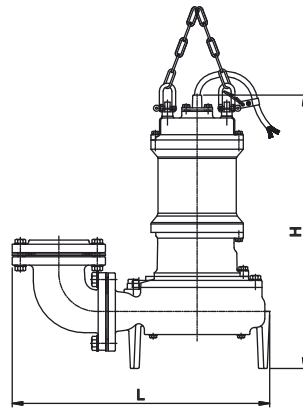


### Specification

|                   |   |                          |  |
|-------------------|---|--------------------------|--|
| Pumping liquid    | Diameter(mm)  | 80 - 100 - 150           |  |
|                   | Ambient temp  | Max. +50°C               |  |
|                   | Liquid temp   | 0°C to +50°C             |  |
| Pump              | Structure   | Impeller                 | P type : semi - open, Non - clog<br>E type : Enclosed single channel<br>U type : Semi-vortex     |
|                   |   | M.seal                   | Double mechanical seal   |
|                   |   | Water detector           | Installed in the seal chamber to detect water leakage from water infiltrating (5.5 kW and above) |
|                   |   | Bearing                  | Ball type bearing  |
|                   | Material  | Impeller                 | Grey Iron  |
|                   |   | Volute                   | Grey Iron  |
|                   |   | Upper cover              | Grey Iron  |
|                   |   | Volute base ring         | Grey Iron  |
|                   |   | Mechanical seal          | Motor side - Carbon v/s Ceramic<br>Pump side - Silicon carbide v/s Silicon carbide               |
|                   |   | Motor                    | Type   |
| Insulation        | F Class   |                          |  |
| Frequency         | 50 Hz   |                          |  |
| Thermal Protector | Automatic reset motor protector (up to 7.5 kW)<br>Miniature Thermal Protector (11 kW & above) |                          |  |
| Material          | Stator body   | Grey Iron                |  |
|                   | Shaft   | S.S. AISI 410            |  |
|                   | Cable   | Thermoplastic Rubber/PVC |  |
| Protection        | IP 68   |                          |  |
| Duty              | S1 - When pump is completely submerged.<br>S3 - When pump is partially submerged.             |                          |  |
| Voltage           | 3 Ph. 400 V +5/-15%   |                          |  |



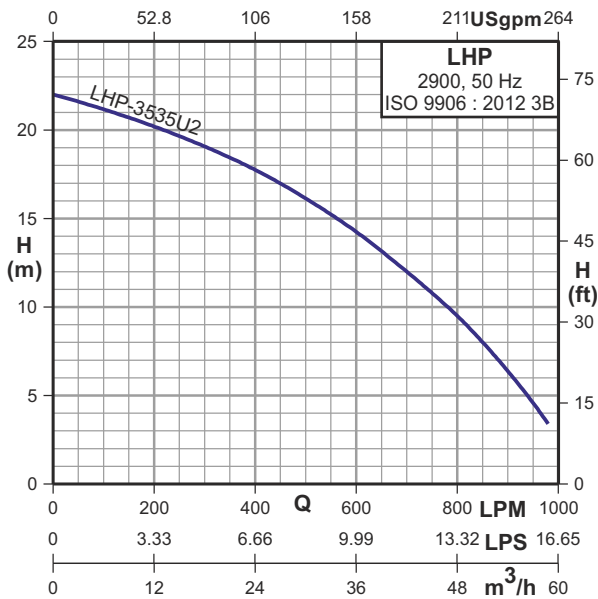
## General Pump Features



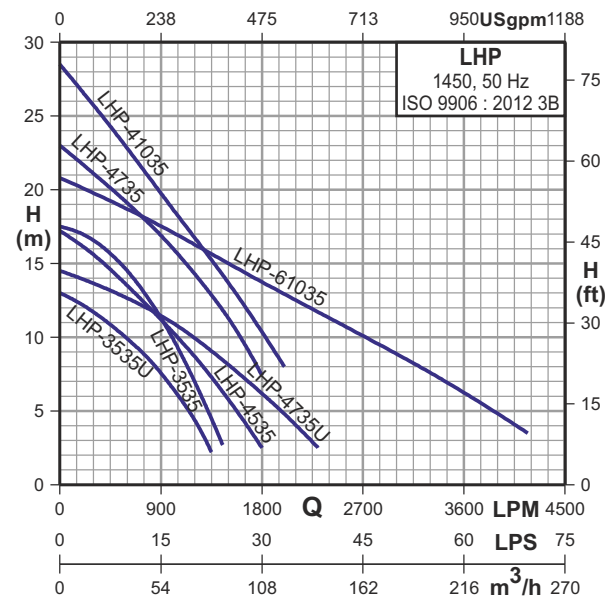
## DIMENSIONS

| Model      | Phase | Disc. mm (Inch) | Impeller Type | Dimensions (mm) |       |        | Solid Passage (mm) | Net Weight (kg.) | Gross Weight (kg.) | Volume (m <sup>3</sup> ) | Cable data cable x core x size (mm <sup>2</sup> ) x length (m) x Material |
|------------|-------|-----------------|---------------|-----------------|-------|--------|--------------------|------------------|--------------------|--------------------------|---|
|            |       |                 |               | Length          | Width | Height |                    |                  |                    |                          |   |
| LHP-3535U2 | 3Ø    | 80 (3")         | U             | 480             | 220   | 595    | 56                 | 58.0             | 93.0               | 0.186                    | 1 x 4 x 1.8 x 8 x PVC   |
| LHP-3535   | 3Ø    | 80 (3")         | P             | 580             | 310   | 650    | 50                 | 82.0             | 127.0              | 0.288                    | 1 x 4 x 1.8 x 8 x PVC   |
| LHP-3535U  | 3Ø    | 80 (3")         | U             | 552             | 286   | 695    | 76                 | 80.0             | 125.0              | 0.275                    | 1 x 4 x 1.8 x 8 x PVC   |
| LHP-4535   | 3Ø    | 100 (4")        | P             | 580             | 310   | 650    | 50                 | 84.0             | 129.0              | 0.285                    | 1 x 4 x 1.8 x 8 x PVC   |
| LHP-4735   | 3Ø    | 100 (4")        | E             | 701             | 404   | 810    | 40                 | 146.0            | 206.0              | 0.475                    | 1 x 4 x 6.0 x 8 x PVC + 1 x 1 x 0.75 x 8 x PVC                            |
| LHP-4735U  | 3Ø    | 100 (4")        | U             | 701             | 404   | 810    | 65                 | 143.0            | 203.0              | 0.475                    | 1 x 4 x 6.0 x 8 x PVC + 1 x 1 x 0.75 x 8 x PVC                            |
| LHP-41035  | 3Ø    | 100 (4")        | E             | 701             | 404   | 850    | 40                 | 163.0            | 213.0              | 0.495                    | 1 x 4 x 6.0 x 8 x PVC + 1 x 1 x 0.75 x 8 x PVC                            |
| LHP-61035  | 3Ø    | 150 (6")        | E             | 850             | 472   | 905    | 70                 | 230.0            | 317.0              | 0.663                    | 1 x 4 x 6.0 x 8 x PVC + 1 x 1 x 0.75 x 8 x PVC                            |

## PERFORMANCE CHART AT n = 2900 RPM



## PERFORMANCE CHART AT n = 1450 RPM

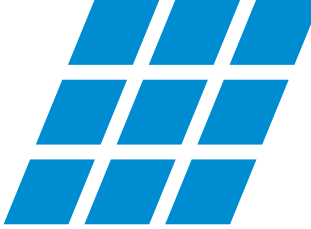


## PERFORMANCE DATA AT n = 2900 RPM

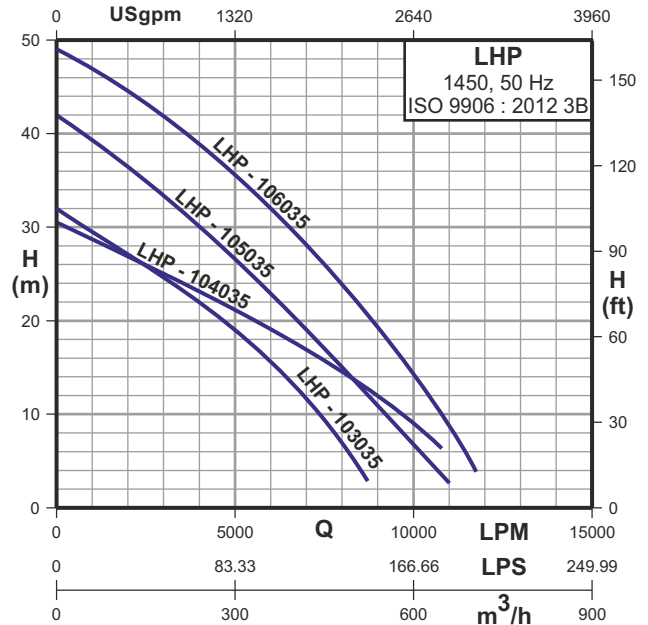
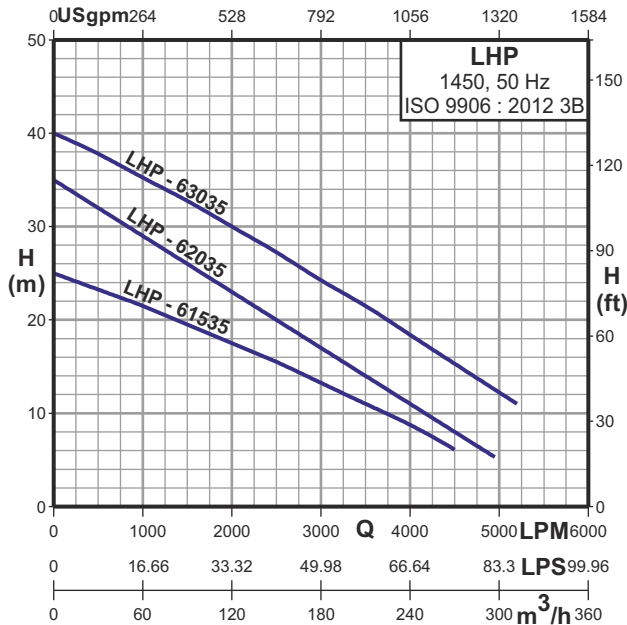
| Model      | Phase | Power |     | Start Method | m <sup>3</sup> /h<br>l/min. | 6    | 12   | 18  | 24   | 30   | 36   | 42  | 48  | 54  |
|------------|-------|-------|-----|--------------|-----------------------------|------|------|-----|------|------|------|-----|-----|-----|
|            |       | kW    | HP  |              |                             | 100  | 200  | 300 | 400  | 500  | 600  | 700 | 800 | 900 |
| LHP-3535U2 | 3Ø    | 3.7   | 5.0 | Direct       | H (m)                       | 21.2 | 20.2 | 19  | 17.7 | 16.1 | 14.2 | 12  | 9.5 | 6.4 |

## PERFORMANCE DATA AT n = 1450 RPM

| Model     | Phase | Power |      | Start Method | m <sup>3</sup> /h<br>l/min. | 12   | 24   | 36   | 48   | 54   | 60   | 90   | 120  | 150  | 180  | 210  | 240  | 246  |
|-----------|-------|-------|------|--------------|-----------------------------|------|------|------|------|------|------|------|------|------|------|------|------|------|
|           |       | kW    | HP   |              |                             | 200  | 400  | 600  | 800  | 900  | 1000 | 1500 | 2000 | 2500 | 3000 | 3500 | 4000 | 4100 |
| LHP-3535  | 3Ø    | 3.7   | 5.0  | Direct       | H (m)                       | 17   | 15.9 | 14.5 | 12.5 | 11.4 | 10   | -    | -    | -    | -    | -    | -    | -    |
| LHP-3535U | 3Ø    | 3.7   | 5.0  | Direct       |                             | 12.3 | 11   | 9.9  | 8.5  | 7.5  | 6.3  | -    | -    | -    | -    | -    | -    | -    |
| LHP-4535  | 3Ø    | 3.7   | 5.0  | Direct       |                             | 16.2 | 14.8 | 13.5 | 12   | 11.1 | 10.2 | 5.8  | -    | -    | -    | -    | -    | -    |
| LHP-4735  | 3Ø    | 5.5   | 7.5  | Direct       |                             | 21.9 | 20.3 | 19   | 17.8 | 16.9 | 15.9 | 11.3 | -    | -    | -    | -    | -    | -    |
| LHP-4735U | 3Ø    | 5.5   | 7.5  | Direct       |                             | 14   | 13.3 | 12.6 | 12   | 11.5 | 11   | 8.1  | 4.7  | -    | -    | -    | -    | -    |
| LHP-41035 | 3Ø    | 7.5   | 10.0 | Direct       |                             | 26.7 | 24.5 | 22.7 | 20.8 | 19.7 | 18.5 | 13.6 | 8    | -    | -    | -    | -    | -    |
| LHP-61035 | 3Ø    | 7.5   | 10.0 | Direct       |                             | 20.1 | 19.4 | 18.7 | 17.9 | 17.5 | 17   | 15   | 12.9 | 10.8 | 9    | 6.7  | 4.2  | 3.7  |

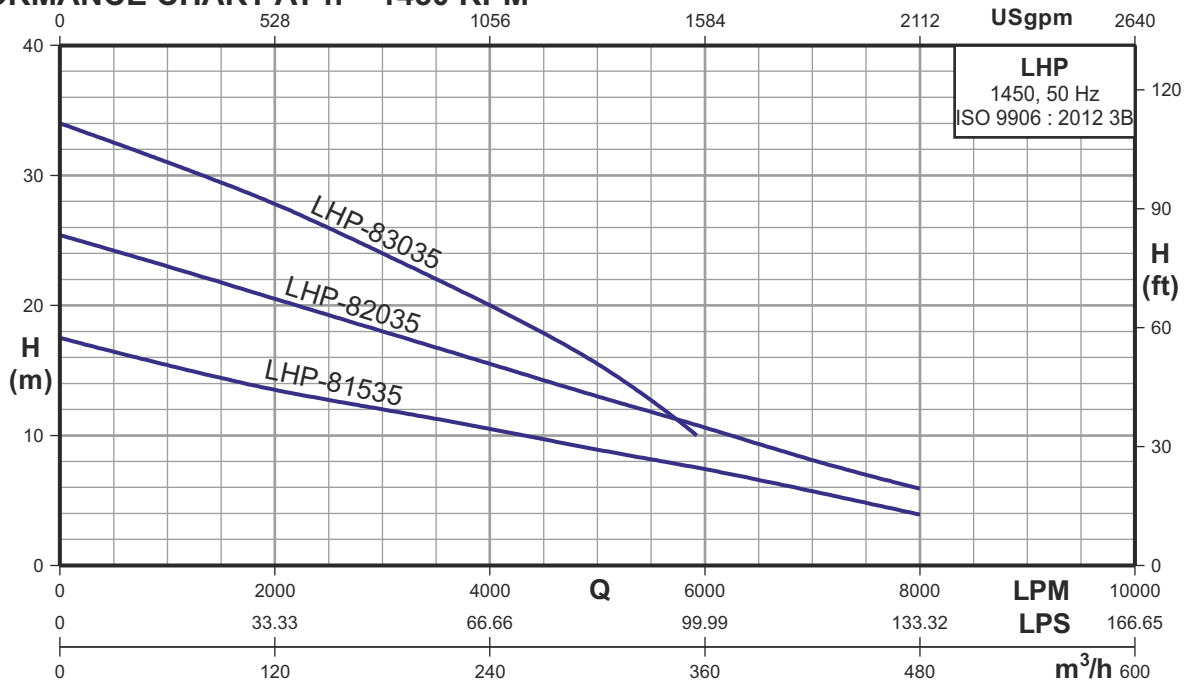


## PERFORMANCE CHART AT n = 1450 RPM



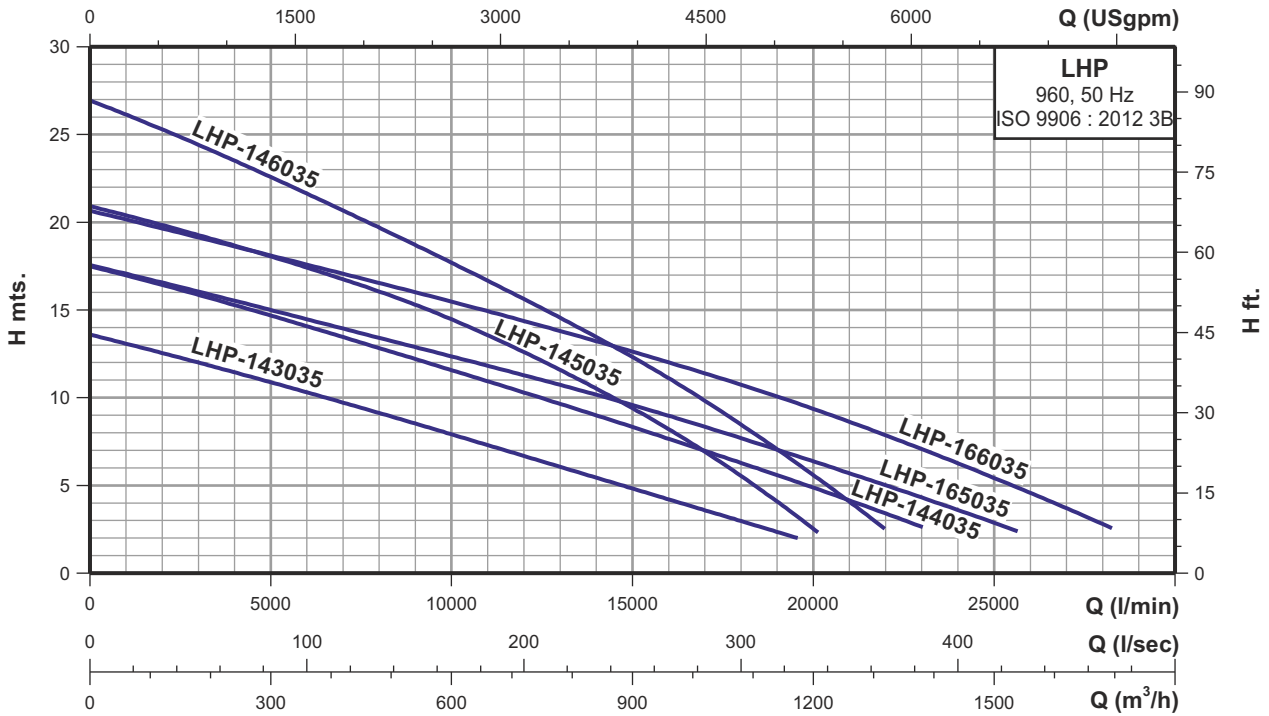
| Model      | Phase | Power |      | Start Method | m³/h   | Flow Rate (Q) |      |      |      |      |      |      |      |      |      |      |       |       |  |  |  |
|------------|-------|-------|------|--------------|--------|---------------|------|------|------|------|------|------|------|------|------|------|-------|-------|--|--|--|
|            |       | kW    | HP   |              |        | 60            | 120  | 150  | 180  | 240  | 270  | 300  | 360  | 420  | 480  | 540  | 600   | 660   |  |  |  |
| LHP-61535  | 3Ø    | 11.0  | 15.0 | Y - Δ        | l/min. | 1000          | 2000 | 2500 | 3000 | 4000 | 4500 | 5000 | 6000 | 7000 | 8000 | 9000 | 10000 | 11000 |  |  |  |
| LHP-62035  | 3Ø    | 15.0  | 20.0 | Y - Δ        | H (m)  | 21.8          | 17.5 | 15.4 | 13   | 8.7  | -    | -    | -    | -    | -    | -    | -     | -     |  |  |  |
| LHP-63035  | 3Ø    | 22.0  | 30.0 | Y - Δ        |        | 29            | 23   | 20   | 17   | 11   | 8    | -    | -    | -    | -    | -    | -     | -     |  |  |  |
| LHP-103035 | 3Ø    | 22.0  | 30.0 | Y - Δ        |        | 35.3          | 30   | 27.2 | 24.1 | 18.3 | 15.3 | 12   | -    | -    | -    | -    | -     | -     |  |  |  |
| LHP-104035 | 3Ø    | 30.0  | 40.0 | Y - Δ        |        | 29.5          | 27.2 | 26   | 24.7 | 22   | 20.6 | 19   | 15.7 | 11.8 | 7    | -    | -     | -     |  |  |  |
| LHP-105035 | 3Ø    | 37.0  | 50.0 | Y - Δ        |        | 29            | 27   | 26   | 25   | 23   | 22   | 21   | 19   | 17   | 15   | 12   | 9     | -     |  |  |  |
| LHP-106035 | 3Ø    | 45.0  | 60.0 | Y - Δ        |        | 39.2          | 36.5 | 35   | 33.4 | 30.2 | 28.3 | 26.7 | 22.8 | 19   | 15.2 | 11   | 6.7   | 2.8   |  |  |  |
|            |       |       |      |              |        | 47            | 44.6 | 43.2 | 41.9 | 38.8 | 37.3 | 35.5 | 32   | 28   | 23.7 | 19.2 | 14.1  | 8.7   |  |  |  |

## PERFORMANCE CHART AT n = 1450 RPM



| Model     | Phase | Power |      | Start Method | m³/h   | Flow Rate (Q) |      |      |      |      |      |      |      |      |      |      |      |      |  |
|-----------|-------|-------|------|--------------|--------|---------------|------|------|------|------|------|------|------|------|------|------|------|------|--|
|           |       | kW    | HP   |              |        | 30            | 60   | 90   | 120  | 150  | 180  | 210  | 240  | 270  | 300  | 360  | 420  | 480  |  |
| LHP-81535 | 3Ø    | 11.0  | 15.0 | Y - Δ        | l/min. | 500           | 1000 | 1500 | 2000 | 2500 | 3000 | 3500 | 4000 | 4500 | 5000 | 6000 | 7000 | 8000 |  |
| LHP-82035 | 3Ø    | 15.0  | 20.0 | Y - Δ        | H (m)  | 16.5          | 15.4 | 14.6 | 13.4 | 12.8 | 12   | 11.3 | 10.5 | 9.6  | 9    | -    | -    | -    |  |
| LHP-83035 | 3Ø    | 22.0  | 30.0 | Y - Δ        |        | 24.2          | 23   | 21.9 | 20.6 | 19.4 | 18   | 16.8 | 15.5 | 14.2 | 13   | 7.3  | 5.5  | 3.9  |  |
|           |       |       |      |              |        | 32.6          | 31   | 29.4 | 27.9 | 26   | 24   | 22   | 20   | 17.9 | 15.5 | 10.6 | 8    | 5.9  |  |

## PERFORMANCE CHART AT n = 960 RPM



| Model      | Phase | Power |      | Start Method | m³/h<br>l/min. | 300  | 600   | 900   | 1200  | 1500  |
|------------|-------|-------|------|--------------|----------------|------|-------|-------|-------|-------|
|            |       | kW    | HP   |              |                | 5000 | 10000 | 15000 | 20000 | 25000 |
| LHP-143035 | 3Ø    | 22.0  | 30.0 | Y - Δ        | H (m)          | 11   | 8     | 4.8   | -     | -     |
| LHP-144035 | 3Ø    | 30.0  | 40.0 | Y - Δ        |                | 14.7 | 11.6  | 8.3   | 4.8   | -     |
| LHP-145035 | 3Ø    | 37.0  | 50.0 | Y - Δ        |                | 18   | 14.5  | 9.3   | 2.5   | -     |
| LHP-146035 | 3Ø    | 45.0  | 60.0 | Y - Δ        |                | 22.6 | 17.7  | 12.3  | 5.6   | -     |
| LHP-165035 | 3Ø    | 37.0  | 50.0 | Y - Δ        |                | 15   | 12.4  | 9.7   | 6.4   | 2.8   |
| LHP-166035 | 3Ø    | 45.0  | 60.0 | Y - Δ        |                | 18.1 | 15.5  | 12.6  | 9.5   | 5.4   |

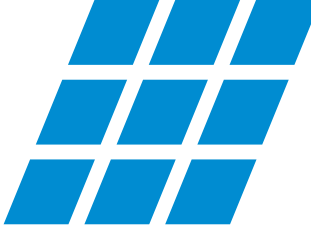
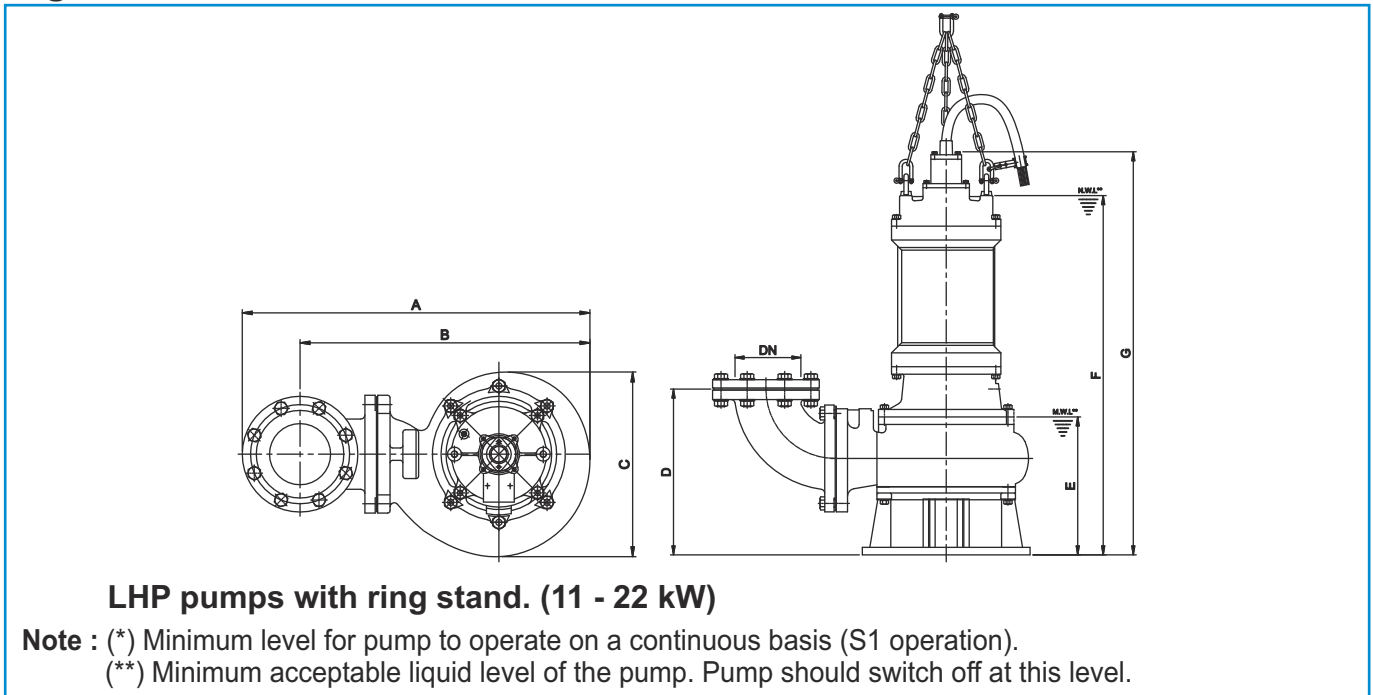


Figure 1



DIMENSIONS Figure 1

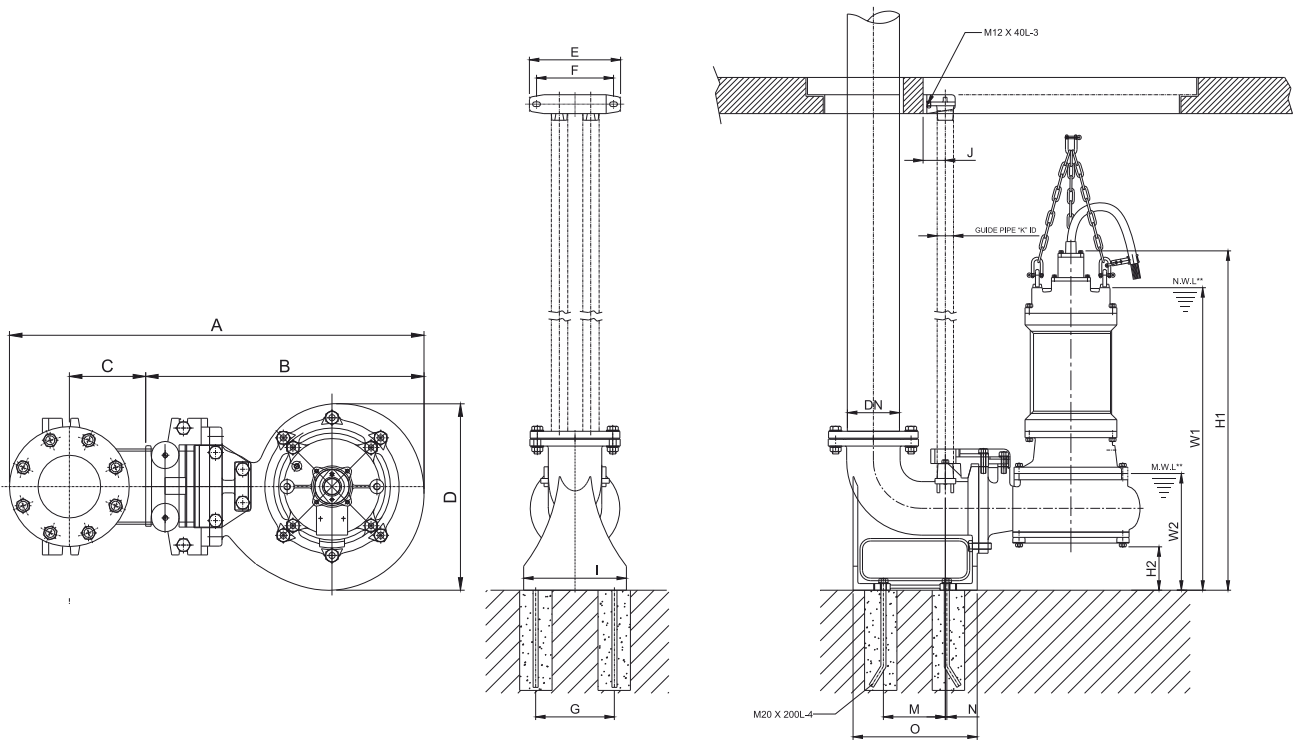
| Model        | Disc. Inch<br>(mm) | Dimensions mm |      |     |     |     |      |      | Solid<br>Passage<br>(mm) | Net<br>Weight<br>(kg.) | Gross<br>Weight<br>(kg.) | Volume<br>(m <sup>3</sup> ) |
|--------------|--------------------|---------------|------|-----|-----|-----|------|------|--------------------------|------------------------|--------------------------|-----------------------------|
|              |                    | A             | B    | C   | D   | E   | F    | G    |                          |                        |                          |                             |
| LHP - 61535  | 6" (150)           | 848           | 705  | 472 | 442 | 367 | 958  | 1075 | 70                       | 263                    | 362                      | 0.839                       |
| LHP - 62035  | 6" (150)           | 809           | 666  | 450 | 387 | 330 | 885  | 1001 | 76                       | 190                    | 289                      | 0.839                       |
| LHP - 63035  | 6" (150)           | 850           | 707  | 496 | 400 | 348 | 878  | 945  | 76                       | 232                    | 361                      | 0.824                       |
| LHP - 81535  | 8" (200)           | 954           | 785  | 502 | 482 | 375 | 966  | 1084 | 75                       | 277                    | 389                      | 0.999                       |
| LHP - 82035  | 8" (200)           | 955           | 785  | 470 | 442 | 368 | 966  | 1080 | 75                       | 285                    | 397                      | 0.999                       |
| LHP - 83035  | 8" (200)           | 940           | 770  | 510 | 418 | 325 | 855  | 924  | 76                       | 310                    | 455                      | 1.560                       |
| LHP - 103035 | 10" (250)          | 1388          | 1186 | 640 | 740 | 552 | 1340 | 1395 | 60                       | 745                    | 929                      | 2.211                       |
| LHP - 104035 | 10" (250)          | 1388          | 1186 | 640 | 740 | 552 | 1340 | 1395 | 60                       | 765                    | 949                      | 2.211                       |
| LHP - 105035 | 10" (250)          | 1388          | 1186 | 640 | 740 | 552 | 1340 | 1395 | 60                       | 770                    | 954                      | 2.211                       |
| LHP - 106035 | 10" (250)          | 1388          | 1186 | 640 | 740 | 552 | 1340 | 1395 | 60                       | 795                    | 979                      | 2.211                       |
| LHP - 143035 | 14" (350)          | 1533          | 1255 | 785 | 824 | 630 | 1352 | 1409 | 120                      | 870                    | 1270                     | 3.320                       |
| LHP - 144035 | 14" (350)          | 1533          | 1255 | 785 | 824 | 630 | 1352 | 1409 | 120                      | 880                    | 1280                     | 3.320                       |
| LHP - 145035 | 14" (350)          | 1601          | 1324 | 805 | 824 | 640 | 1371 | 1428 | 90                       | 1045                   | 1445                     | 3.320                       |
| LHP - 146035 | 14" (350)          | 1601          | 1324 | 805 | 824 | 640 | 1371 | 1428 | 90                       | 1085                   | 1485                     | 3.320                       |
| LHP - 165035 | 16" (400)          | 1725          | 1415 | 859 | 875 | 655 | 1385 | 1443 | 120                      | 1125                   | 1585                     | 3.710                       |
| LHP - 166035 | 16" (400)          | 1725          | 1415 | 859 | 875 | 655 | 1385 | 1443 | 120                      | 1165                   | 1625                     | 3.710                       |

| Model        | Cable data   |
|--------------|--|
|              | cable x core x size (mm <sup>2</sup> ) x length (m) x Material                     |
| LHP - 61535  | 1 x 7 x 6.0 x 8 x Thermoplastic Rubber<br>1 x 3 x 0.75 x 8 x Thermoplastic Rubber  |
| LHP - 62035  | 1 x 7 x 6.0 x 8 x Thermoplastic Rubber<br>1 x 3 x 0.75 x 8 x Thermoplastic Rubber  |
| LHP - 63035  | 2 x 4 x 8.0 x 8 x Thermoplastic Rubber<br>1 x 2 x 1.25 x 8 x Thermoplastic Rubber  |
| LHP - 81535  | 1 x 7 x 6.0 x 8 x Thermoplastic Rubber<br>1 x 3 x 0.75 x 8 x Thermoplastic Rubber  |
| LHP - 82035  | 1 x 7 x 6.0 x 8 x Thermoplastic Rubber<br>1 x 3 x 0.75 x 8 x Thermoplastic Rubber  |
| LHP - 83035  | 2 x 4 x 8.0 x 8 x Thermoplastic Rubber<br>1 x 2 x 1.25 x 8 x Thermoplastic Rubber  |
| LHP - 103035 | 2 x 4 x 10.0 x 8 x Thermoplastic Rubber<br>1 x 2 x 1.25 x 8 x Thermoplastic Rubber |
| LHP - 104035 | 2 x 4 x 10.0 x 8 x Thermoplastic Rubber<br>1 x 2 x 1.25 x 8 x Thermoplastic Rubber |
| LHP - 105035 | 2 x 4 x 10.0 x 8 x Thermoplastic Rubber<br>1 x 2 x 1.25 x 8 x Thermoplastic Rubber |

| Model        | Cable data   |
|--------------|--|
|              | cable x core x size (mm <sup>2</sup> ) x length (m) x Material                     |
| LHP - 106035 | 2 x 4 x 10.0 x 8 x Thermoplastic Rubber<br>1 x 2 x 1.25 x 8 x Thermoplastic Rubber |
| LHP - 143035 | 2 x 4 x 10.0 x 8 x Thermoplastic Rubber<br>1 x 2 x 1.25 x 8 x Thermoplastic Rubber |
| LHP - 144035 | 2 x 4 x 10.0 x 8 x Thermoplastic Rubber<br>1 x 2 x 1.25 x 8 x Thermoplastic Rubber |
| LHP - 145035 | 2 x 4 x 10.0 x 8 x Thermoplastic Rubber<br>1 x 2 x 1.25 x 8 x Thermoplastic Rubber |
| LHP - 146035 | 2 x 4 x 10.0 x 8 x Thermoplastic Rubber<br>1 x 2 x 1.25 x 8 x Thermoplastic Rubber |
| LHP - 165035 | 2 x 4 x 10.0 x 8 x Thermoplastic Rubber<br>1 x 2 x 1.25 x 8 x Thermoplastic Rubber |
| LHP - 166035 | 2 x 4 x 10.0 x 8 x Thermoplastic Rubber<br>1 x 2 x 1.25 x 8 x Thermoplastic Rubber |



Figure 2



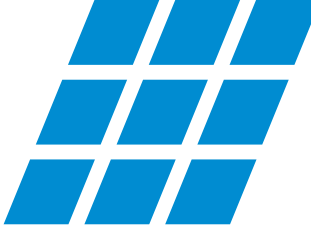
**LHP pumps on auto-coupling guide rail system (3.7 to 22.0 kW)**

**Note :** (\*) Minimum level for pump to operate on a continuous basis (S1 operation).  
 (\*\*) Minimum acceptable liquid level of the pump. Pump should switch off at this level.

**DIMENSIONS Figure 2**

| Model        | Disc. Inch<br>(mm) | Dimensions mm |      |     |     |     |     |     |     |     |      |       |      |     |      |     |      |     |
|--------------|--------------------|---------------|------|-----|-----|-----|-----|-----|-----|-----|------|-------|------|-----|------|-----|------|-----|
|              |                    | A             | B    | C   | D   | E   | F   | G   | I   | J   | K*** | M     | N    | O   | W1   | W2  | H1   | H2  |
| LHP - 3535U2 | 3" (80)            | 698           | 454  | 150 | 216 | 290 | 245 | 200 | 247 | 70  | 50   | 158   | 22   | 270 | 604  | 259 | 670  | 75  |
| LHP - 3535   | 3" (80)            | 765           | 521  | 150 | 285 | 290 | 245 | 200 | 247 | 70  | 50   | 158   | 22   | 270 | 658  | 295 | 728  | 31  |
| LHP - 3535U  | 3" (80)            | 765           | 521  | 150 | 285 | 290 | 245 | 200 | 247 | 70  | 50   | 158   | 22   | 270 | 658  | 295 | 728  | 31  |
| LHP - 4535   | 4" (100)           | 812           | 536  | 170 | 315 | 290 | 245 | 200 | 247 | 70  | 50   | 178   | 22   | 285 | 650  | 260 | 718  | 75  |
| LHP - 4735   | 4" (100)           | 905           | 630  | 170 | 385 | 290 | 245 | 200 | 247 | 70  | 50   | 178   | 22   | 285 | 695  | 295 | 791  | 124 |
| LHP - 4735U  | 4" (100)           | 905           | 630  | 170 | 385 | 290 | 245 | 200 | 247 | 70  | 50   | 178   | 22   | 285 | 695  | 295 | 791  | 124 |
| LHP - 41035  | 4" (100)           | 905           | 630  | 170 | 385 | 290 | 245 | 200 | 247 | 70  | 50   | 178   | 22   | 285 | 735  | 295 | 831  | 124 |
| LHP - 61035  | 6" (150)           | 992           | 710  | 140 | 446 | 340 | 295 | 280 | 327 | 90  | 50   | 235   | 44   | 400 | 810  | 370 | 907  | 168 |
| LHP - 61535  | 6" (150)           | 992           | 710  | 140 | 446 | 340 | 295 | 280 | 327 | 90  | 50   | 235   | 44   | 400 | 980  | 370 | 1070 | 168 |
| LHP - 62035  | 6" (150)           | 1022          | 710  | 170 | 450 | 290 | 245 | 280 | 325 | 70  | 50   | 260   | 20   | 370 | 927  | 351 | 1015 | 22  |
| LHP - 63035  | 6" (150)           | 1060          | 750  | 170 | 496 | 290 | 245 | 280 | 325 | 70  | 50   | 260   | 20   | 370 | 906  | 358 | 947  | 10  |
| LHP - 81535  | 8" (200)           | 1064          | 662  | 230 | 502 | 300 | 175 | 320 | 350 | 95  | 50   | 269   | 41   | 400 | 984  | 393 | 1102 | 18  |
| LHP - 82035  | 8" (200)           | 1161          | 760  | 230 | 497 | 340 | 295 | 320 | 350 | 90  | 50   | 233   | 36   | 446 | 1008 | 397 | 1098 | 188 |
| LHP - 83035  | 8" (200)           | 1280          | 885  | 230 | 510 | 320 | 280 | 280 | 350 | 100 | 40   | 200   | 80   | 370 | 891  | 361 | 960  | 36  |
| LHP - 103035 | 10" (250)          | 1591          | 1118 | 270 | 624 | 420 | 350 | 360 | 460 | 110 | 65   | 310   | 74   | 560 | 1185 | 447 | 1225 | 198 |
| LHP - 104035 | 10" (250)          | 1591          | 1118 | 270 | 624 | 420 | 350 | 360 | 460 | 110 | 65   | 310   | 74   | 560 | 1185 | 447 | 1225 | 198 |
| LHP - 105035 | 10" (250)          | 1650          | 1176 | 270 | 640 | 420 | 350 | 360 | 460 | 110 | 65   | 310   | 74   | 560 | 1185 | 447 | 1225 | 195 |
| LHP - 106035 | 10" (250)          | 1650          | 1176 | 270 | 640 | 420 | 350 | 360 | 460 | 110 | 65   | 310   | 74   | 560 | 1185 | 447 | 1225 | 195 |
| LHP - 143035 | 14" (350)          | 1892          | 1315 | 305 | 785 | 610 | 510 | 580 | 700 | 220 | 114  | 601.5 | 89.5 | 950 | 1424 | 703 | 1481 | 372 |
| LHP - 144035 | 14" (350)          | 1892          | 1315 | 305 | 785 | 610 | 510 | 580 | 700 | 220 | 114  | 601.5 | 89.5 | 950 | 1424 | 703 | 1481 | 372 |
| LHP - 145035 | 14" (350)          | 1961          | 1374 | 305 | 805 | 610 | 510 | 580 | 700 | 220 | 114  | 602   | 90   | 950 | 1443 | 712 | 1500 | 372 |
| LHP - 146035 | 14" (350)          | 1961          | 1374 | 305 | 805 | 610 | 510 | 580 | 700 | 220 | 114  | 602   | 90   | 950 | 1443 | 712 | 1500 | 372 |
| LHP - 165035 | 16" (400)          | 2116          | 1433 | 373 | 859 | 610 | 510 | 580 | 700 | 220 | 114  | 602   | 90   | 950 | 1460 | 729 | 1517 | 372 |
| LHP - 166035 | 16" (400)          | 2116          | 1433 | 373 | 859 | 610 | 510 | 580 | 700 | 220 | 114  | 602   | 90   | 950 | 1460 | 729 | 1517 | 372 |

\*\*\* Customer scope of supply as per actual site condition.



## Performance Range

- Flow rate up to 325 l/min. (19.5 m³/h)
- Dynamic head up to 32 m.

## Applications

- Used in pressure sewage system.
- Drainage of waste water from individual residences, apartment, buildings, recreational developments, motels.
- Transferring waste water of commercial buildings, industrial plants, waste water sampling, small hospitals.
- Schools, federal, state and local parks' waste water drainage.
- To transfer various waste water and sewage.

## Features

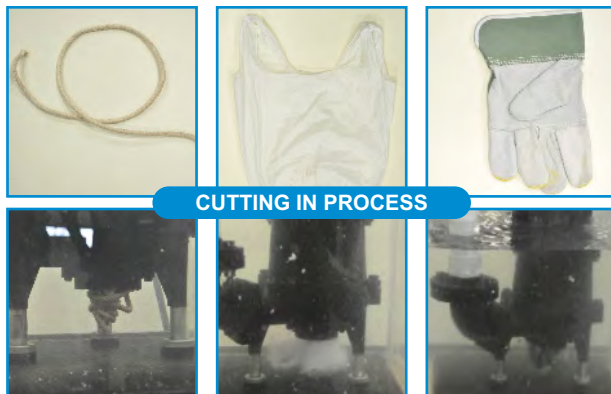
- Durable heavy duty finned cast iron construction.
- Grinder is complete unit, light weight, compact, and portable, easy to be installed.
- Double protection at connection box: barrier grommet, barrier epoxy, prevent water ingress to the motor area, assuring a longterm reliable operation. Additionally, epoxy encapsulation and stripped leads positively eliminate wicking from the cable.
- Two balls bearing construction support shaft and rotor.
- Dry type motor with high efficiency and low current. Equipped with auto reset motor protector, prevent the motor damage from abnormal heat and current.
- The dual silicon carbide mechanical seal system and extra oil seal protection protects the motor from sewage contamination, to provide you exceptionally long pump service life.
- An excellent vortex impeller and casing water cavity housing design. Provide high efficiency and power saving, handling ground slurry and sewage without clogging or binding.
- Radial cutter and cutter ring: corrosion resistant material, hardened to 55 - 60 Rockwell C.

## Direction of Rotation

- Clockwise as seen from the motor rear end.

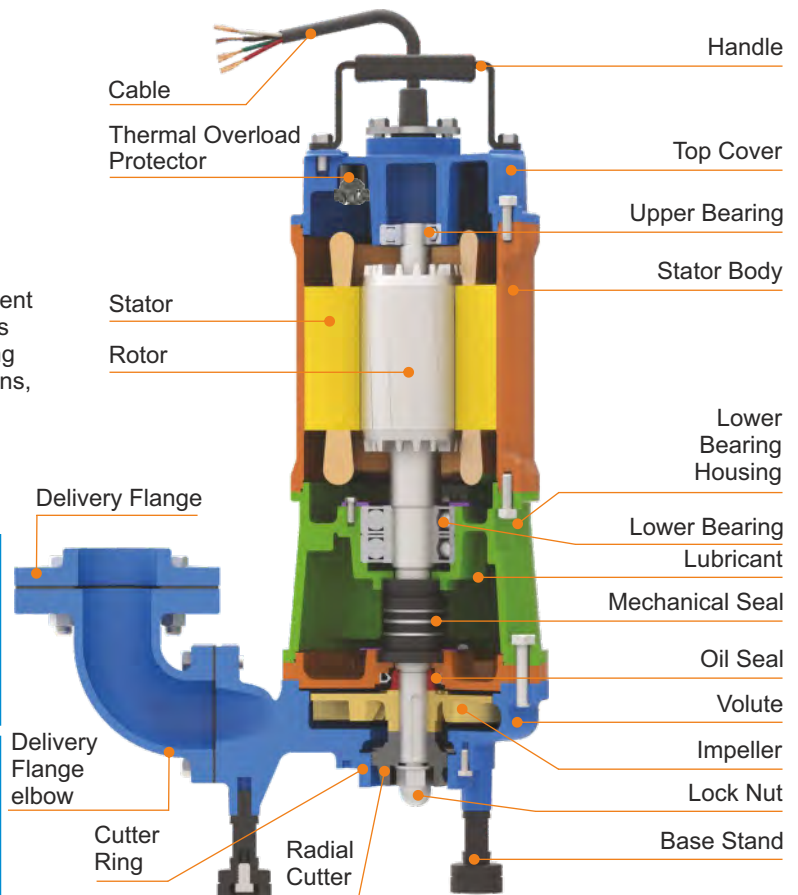
## Cutting Ability Demonstration

- Specialized one single strong shaft with impeller and radial cutter, dramatically reduces the torque requirement on the motor, cuts with less horsepower, and increases the pump's efficiency. What's more, it prevents clogging with some troublesome objects such as sanitary napkins, plastic, rubber, disposable diapers and cloth items. The design of Lubi grinder prevents clogging, binding and roping. They chop up almost anything and everything in order for you to get a continuous, long - term pumping service.

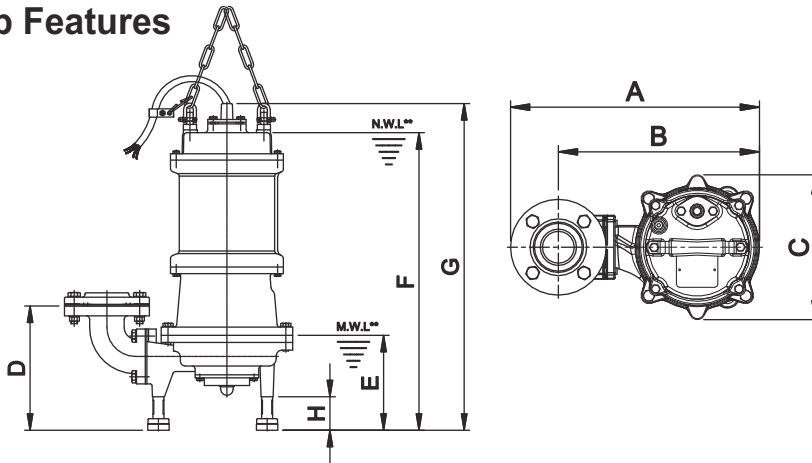


## Specification

|                |                   |   |  |
|----------------|-------------------|---|--|
| Horse Power    |                   | 2, 3, 5 HP  |  |
| Pumping liquid | Ambient temp      | Max. +50°C  |  |
|                | Liquid temp       | 0°C to +50°C  |  |
|                | Liquid nature     | Suitable for pumping waste water of commercial buildings, hotels & restaurants, hospitals, industrial plants & kitchen waste. |  |
| Pump           | Construction      | Impeller  | Vortex   |
|                |                   | Cutting Cons.   | Grinding   |
|                |                   | Mech. seal  | Double Mechanical seal   |
|                |                   | Upper Bearing   | Ball Bearing   |
|                |                   | Lower Bearing   | Two ball Bearings  |
|                | Material          | Impeller  | Grey Iron  |
|                |                   | Volute  | Grey Iron  |
|                |                   | Radial Cutter   | S.S AISI 440   |
|                |                   | Cutter Ring   | S.S AISI 440   |
|                |                   | Mechanical seal   | Motor side - Carbon v/s Ceramic<br>Pump side - Silicon carbide v/s Silicon carbide |
| Motor          | Type              | Dry motor   |  |
|                | Insulation        | F Class   |  |
|                | Frequency         | 50 Hz   |  |
|                | Thermal Protector |   | Automatic reset motor protector  |
|                |                   |   | Water detector (optional)  |
|                | Material          | Stator body   | Grey Iron  |
|                |                   | Shaft   | S.S AISI 410   |
| Cable          |                   | PVC   |  |
| Protection     |                   | IP 68   |  |
| Duty           |                   | S1 - When pump is completely submerged.<br>S3 - When pump is partially submerged.   |  |
| Voltage        |                   | 1 Ph. 230 V +5/-15%, 3 Ph. 400 V +5/-15%  |  |



## General Pump Features

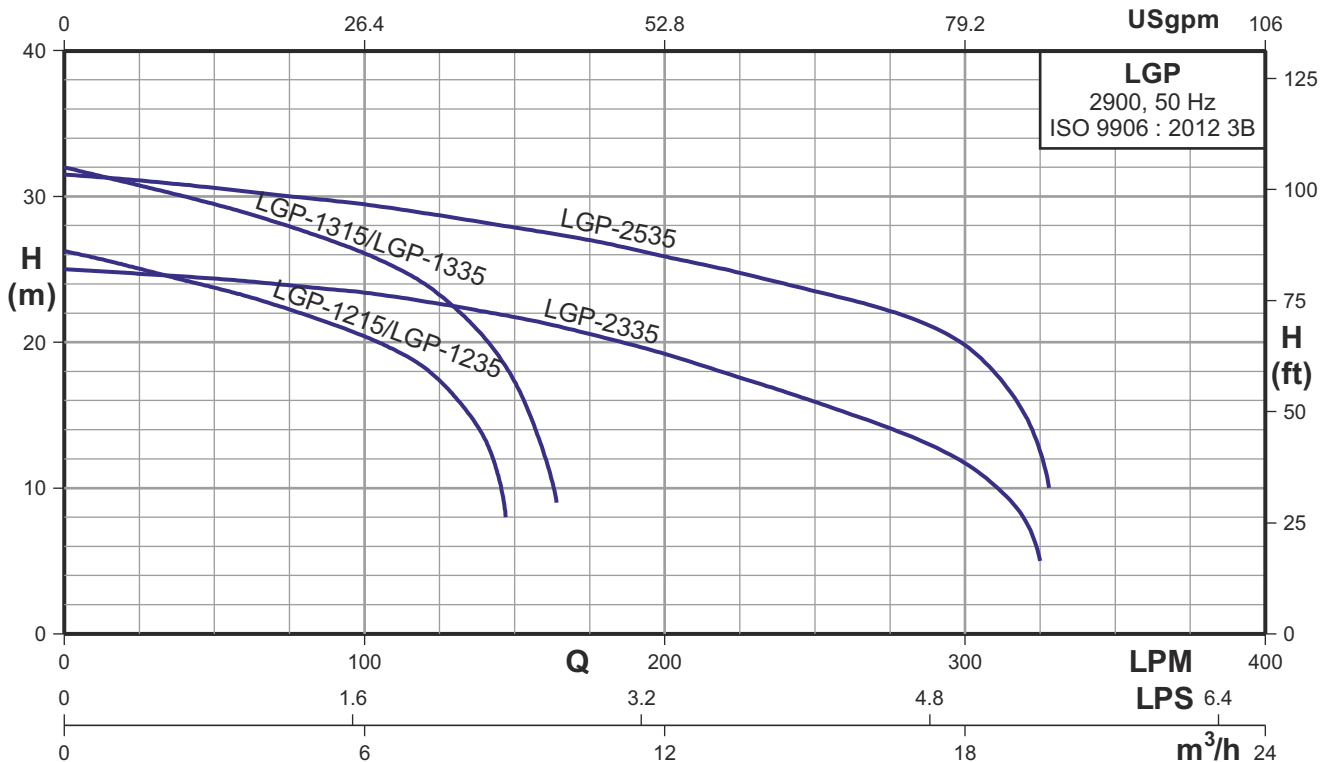


### DIMENSIONS

| Type           | PHASE | DN | DIMENSIONS (MM) |     |     |     |     |     |     | NET WEIGHT (kg.) | GROSS WEIGHT (kg.) | VOLUME (m <sup>3</sup> ) | CABLE DATA<br>cable x core x size (mm <sup>2</sup> ) x length (m) x Material |                       |
|----------------|-------|----|-----------------|-----|-----|-----|-----|-----|-----|------------------|--------------------|--------------------------|--|-----------------------|
|                |       |    | A               | B   | C   | D   | E   | F   | G   |                  |                    |                          |  | H                     |
| LGP-1215/1215F | 1Ø    | 32 | 286             | 250 | 203 | 156 | 160 | 543 | 610 | 61               | 38.0               | 70.0                     | 0.126  | 1 x 3 x 2.0 x 8 x PVC |
| LGP-1235/1235F | 3Ø    | 32 | 286             | 250 | 203 | 156 | 160 | 492 | 556 | 61               | 34.0               | 64.0                     | 0.117  | 1 x 4 x 1.8 x 8 x PVC |
| LGP-1315/1315F | 1Ø    | 32 | 286             | 250 | 203 | 156 | 160 | 543 | 610 | 61               | 40.0               | 72.0                     | 0.126  | 1 x 3 x 3.5 x 8 x PVC |
| LGP-1335/1335F | 3Ø    | 32 | 286             | 250 | 203 | 156 | 160 | 492 | 556 | 61               | 36.0               | 66.0                     | 0.117  | 1 x 4 x 1.8 x 8 x PVC |
| LGP-2335       | 3Ø    | 50 | 416             | 339 | 195 | 226 | 160 | 522 | 593 | 61               | 51.0               | 86.0                     | 0.156  | 1 x 4 x 1.8 x 8 x PVC |
| LGP-2535       | 3Ø    | 50 | 416             | 339 | 195 | 226 | 160 | 543 | 616 | 61               | 54.0               | 89.0                     | 0.161  | 1 x 4 x 1.8 x 8 x PVC |

All Dimensions in mm

### PERFORMANCE CHART AT n = 2900 RPM FOR GRINDER PUMPS

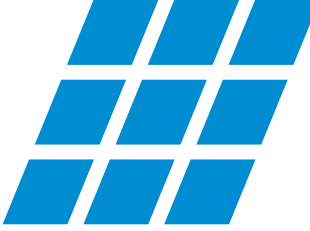


### PERFORMANCE DATA AT n = 2900 RPM

| Model          | Phase | Power |     | Start Method | m <sup>3</sup> /h<br>l/min. | 1.5<br>25 | 3<br>50 | 4.5<br>75 | 6<br>100 | 7.5<br>125 | 9<br>150 | 12<br>200 | 15<br>250 | 18<br>300 | 19.5<br>325 |
|----------------|-------|-------|-----|--------------|-----------------------------|-----------|---------|-----------|----------|------------|----------|-----------|-----------|-----------|-------------|
|                |       | kW    | HP  |              |                             |           |         |           |          |            |          |           |           |           |             |
| LGP-1215/1215F | 1Ø    | 1.5   | 2.0 | Capacitor    | H(m)                        | 25        | 23.9    | 22.2      | 20.5     | 17.3       | -        | -         | -         | -         | -           |
| LGP-1235/1235F | 3Ø    |       |     | Direct       |                             |           |         |           |          |            |          |           |           |           |             |
| LGP-1315/1315F | 1Ø    | 2.2   | 3.0 | Capacitor    |                             |           |         |           |          |            |          |           |           |           |             |
| LGP-1335/1335F | 3Ø    |       |     | Direct       |                             |           |         |           |          |            |          |           |           |           |             |
| LGP-2335       | 3Ø    | 2.2   | 3.0 | Direct       | 24.6                        | 24.4      | 24      | 23.7      | 22.8     | 21.7       | 19.1     | 16        | 11.7      | 5         |             |
| LGP-2535       | 3Ø    | 3.7   | 5.0 | Direct       | 31                          | 30.6      | 30      | 29.5      | 29       | 28         | 25.9     | 23.5      | 19.9      | 12        |             |

Note : • Available on request : Other Voltages, 60Hz.

• Subscript "F" pumps will be provided with a float switch.



### Performance Range

- Flow rate up to 9000 l/min. (540 m<sup>3</sup>/h)
- Dynamic head up to 6 m.

### Applications

- Aquaculture water pumping and drainage for large volume water applications.
- Water supply for landscape and water features.
- Water extracting from rivers, lakes and reservoirs.
- Flood control.

### Features

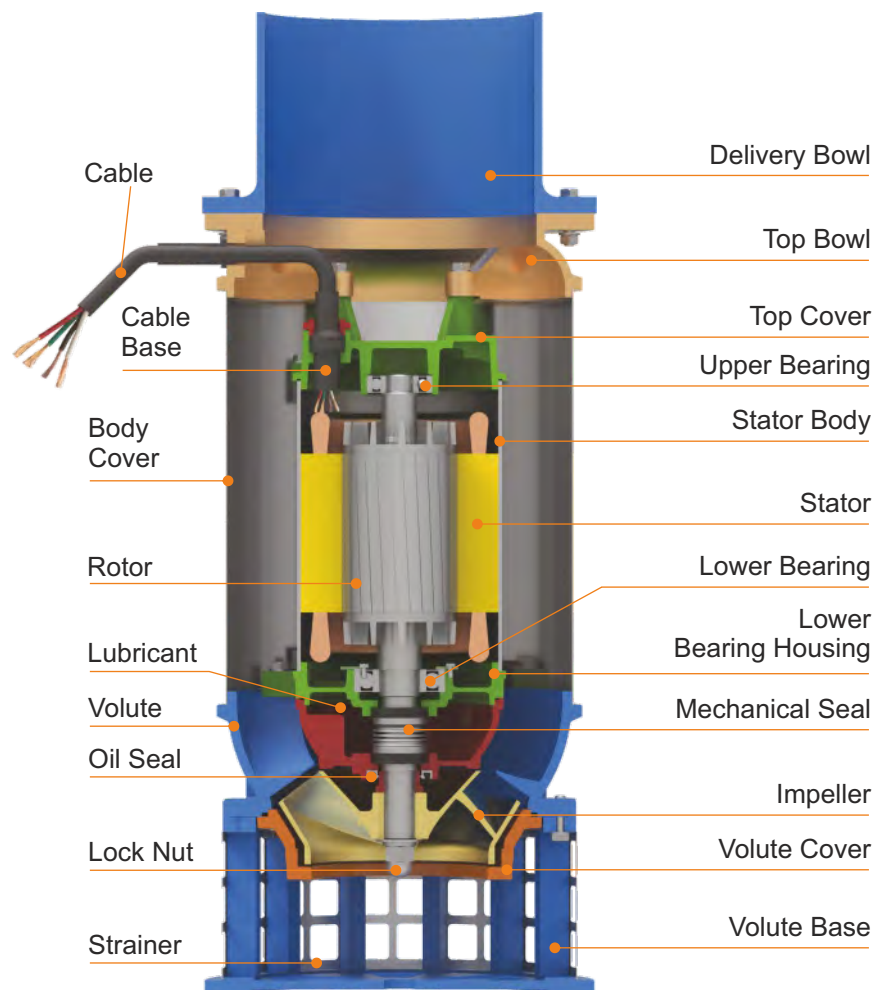
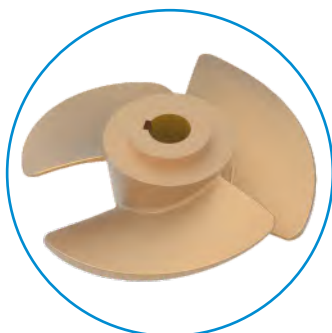
- Large flow capacities achieved with almost no vibration or noise by use of Propeller or Mix Flow design, giving easy operation and energy savings.
- Robust construction and compact design with a dry motor, double mechanical seal and impeller flow guide vane for high efficiency.
- Simple operation and maintenance.

### Direction of Rotation

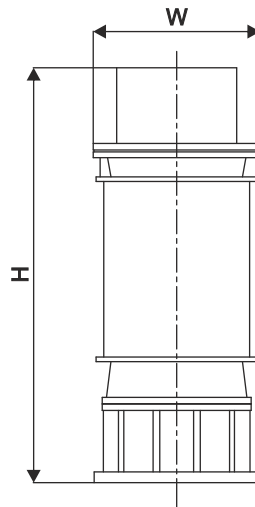
- Clockwise as seen from the motor rear end.

### Specification

|                |               |  |                          |
|----------------|---------------|--|--------------------------|
| Diameter(mm)   |               | 200 - 250 - 300  |                          |
| Pumping liquid | Ambient temp  | Max. +50°C   |                          |
|                | Liquid temp   | 0°C to +50°C   |                          |
|                | Liquid nature | Suitable for aquaculture water pumping, flood control and water extraction from rivers, lakes and reservoir. |                          |
| Pump           | Structure     | Impeller   | Propeller / Mixed Flow   |
|                |               | M.seal   | Double Mechanical seal   |
|                |               | Bearing  | Ball type bearing        |
|                | Material      | Impeller   | Bronze                   |
|                |               | Volute   | Grey Iron                |
|                |               | Upper cover  | Bronze                   |
|                |               | M.seal   | Carbon v/s Ceramic       |
| Motor          | Type          |  | Dry motor                |
|                | Insulation    |  | F Class                  |
|                | Frequency     |  | 50 Hz                    |
|                | Material      | Stator body  | S.S AISI 304             |
|                |               | Shaft  | S.S AISI 304             |
|                |               | Cable  | Thermoplastic Rubber/PVC |
| Protection     |               | IP 68  |                          |
| Duty           |               | S1 - When pump is completely or partially submerged.   |                          |
| Voltage        |               | 3 Ph. 400 V +/-15%   |                          |



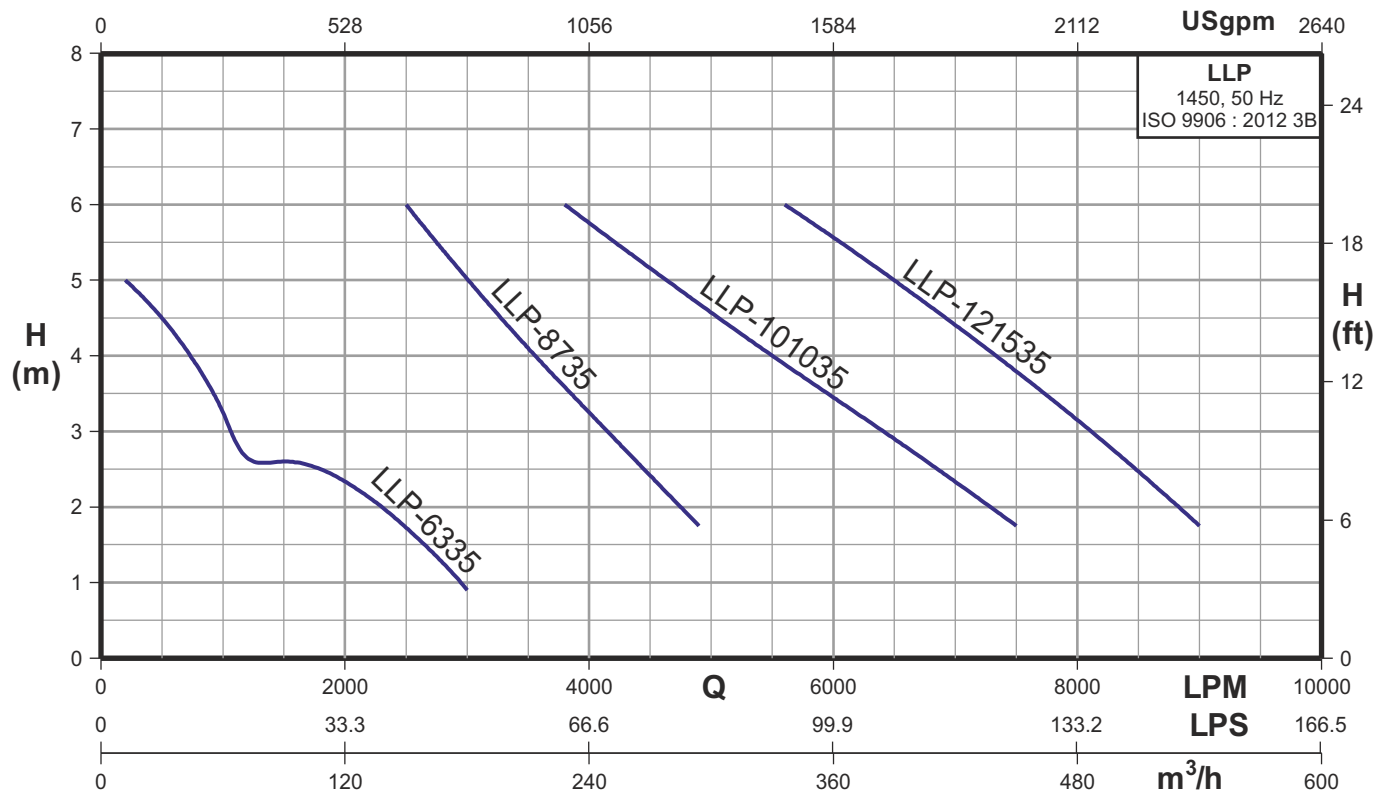
General Pump Features



DIMENSIONS

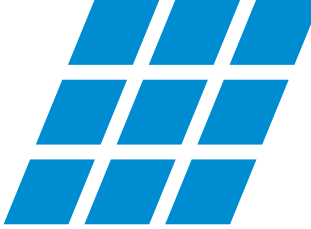
| Model      | Disc. mm (Inch) | Dimensions (mm) |       |        | Solid Passage (mm) | Net Weight (kg.) | Gross Weight (kg.) | Volume (m <sup>3</sup> ) | Cable data cable x core x size (mm <sup>2</sup> ) x length (m) x Material |
|------------|-----------------|-----------------|-------|--------|--------------------|------------------|--------------------|--------------------------|---|
|            |                 | Length          | Width | Height |                    |                  |                    |                          |   |
| LLP-6335   | 150 (6")        | -               | 285   | 638    | 20                 | 52.0             | 91.0               | 0.159                    | 1 x 4 x 1.0 x 8 x PVC   |
| LLP-8735   | 200 (8")        | -               | 340   | 923    | 22                 | 122.0            | 176.0              | 0.272                    | 1 x 4 x 6.0 x 8 x PVC   |
| LLP-101035 | 250 (10")       | -               | 380   | 1015   | 22                 | 164.0            | 228.0              | 0.344                    | 1 x 4 x 6.0 x 8 x PVC   |
| LLP-121535 | 300 (12")       | -               | 430   | 1077   | 23                 | 209.0            | 282.0              | 0.432                    | 1 x 4 x 8.0 x 8 x Thermoplastic rubber                                    |

PERFORMANCE CHART AT n = 1450 RPM FOR HEAVY DUTY SEWAGE PUMPS



PERFORMANCE DATA AT n = 1450 RPM

| MODEL      | POWER |      | START METHOD | m <sup>3</sup> /h | 30  | 60   | 90   | 120  | 150  | 180  | 210  | 240  | 270  | 300  | 360  | 420  | 510  |
|------------|-------|------|--------------|-------------------|-----|------|------|------|------|------|------|------|------|------|------|------|------|
|            | kW    | HP   |              |                   | 500 | 1000 | 1500 | 2000 | 2500 | 3000 | 3500 | 4000 | 4500 | 5000 | 6000 | 7000 | 8500 |
| LLP-6335   | 2.2   | 3.0  | Direct       | H (m)             | 4.5 | 3.2  | 2.6  | 2.3  | 2    | -    | -    | -    | -    | -    | -    | -    | -    |
| LLP-8735   | 5.5   | 7.5  | Direct       |                   | -   | -    | -    | -    | 6    | 5    | 4.1  | 3.3  | 2.4  | -    | -    | -    | -    |
| LLP-101035 | 7.5   | 10.0 | Direct       |                   | -   | -    | -    | -    | -    | -    | -    | 5.8  | 5.2  | 4.6  | 3.4  | 2.5  | -    |
| LLP-121535 | 11.0  | 15.0 | Direct       |                   | -   | -    | -    | -    | -    | -    | -    | -    | -    | -    | 5.6  | 4.4  | 2.5  |



# Heavy-Duty Construction Drainage Pumps (1.5 HP to 10.0 HP)

**LAS**

## Performance Range

- Flow rate up to 2500 l/min. (150 m<sup>3</sup>/h)
- Dynamic head up to 38 m.

## Applications

- Civil engineering dewatering of tunneling and ground works, also for storm water sewers.
- Dewatering of fluids containing solid sediments.

## Features

- Specifically designed for civil engineering applications, where a heavy duty, light weight, top discharge design, is required which is easy to handle. The double outer casing, water cooled motor makes it particularly suitable for low water level applications.
- A fully waterproof IP 68 stainless steel structure, combined with a high grade silicon carbide double mechanical seals.
- The LAS range of pumps are compact, strong and easy to operate in any situation.
- Special designed high efficient and wear resistant HCR (High Chrome) impeller.
- Multi impeller design suitable from high head with small capacity to low head with large capacity of application requirement.
- Optional discharge connection (Hose, flange and thread connection)

## Direction of Rotation

- Clockwise as seen from the motor rear end.

## Special Features on Request

- Other voltages.
- Available in 60Hz.

## Thermal overload protector

- Equipped with Automatic reset motor protector, prevents motor from burning due to high temperature/phase failure/voltage drop and locked impeller.



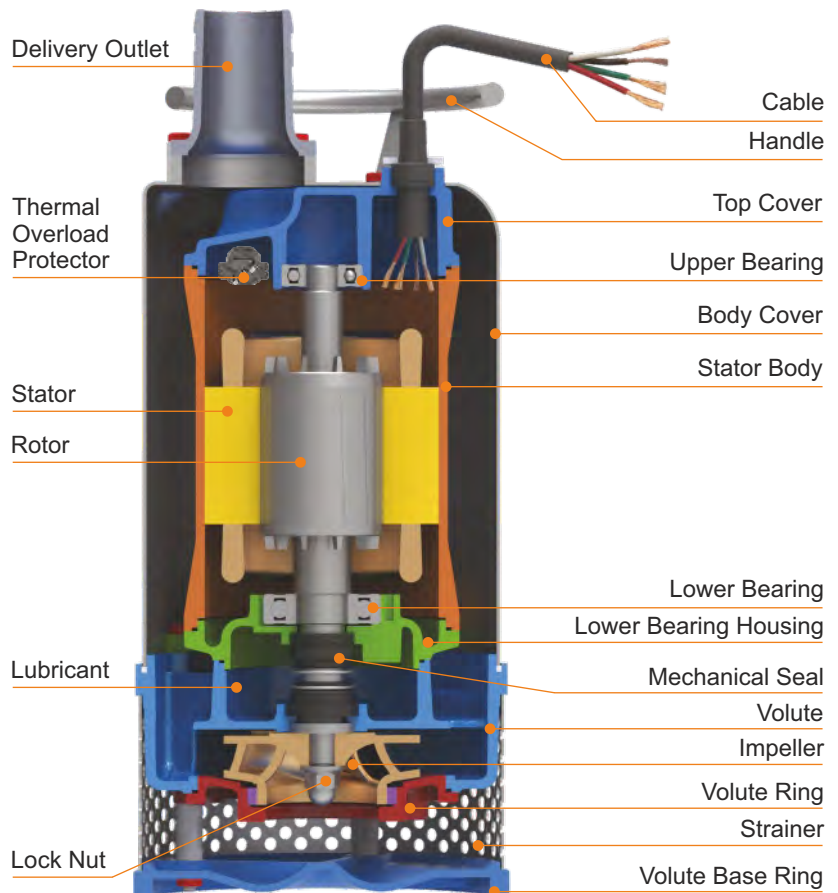
## HCR Impeller

- The LAS impeller is manufactured with a high chrome alloy (HCR) steel with a hardness of 55 - 60 Rc., which makes it resistant to prolonged use in abrasive applications.



## Specification

| HP             |  | 1.1 to 3.7 kW  | 5.5 to 7.5 kW                       |           |          |
|----------------|--|--|-------------------------------------|-----------|----------|
| Diameter (mm)  |  | 50 - 80  | 80                                  | 100 - 150 |          |
| Pumping liquid | Ambient temp   | Max. +50°C   |                                     |           |          |
|                | Liquid temp  | 0°C to +50°C   |                                     |           |          |
|                | Liquid nature  | Suitable for dewatering at civil engineering sites and pumping of storm water. |                                     |           |          |
| Pump           | Structure  | Impeller   | Open                                | Open      | Enclosed |
|                |  | Mech. seal   | Double Mechanical seal              |           |          |
|                |  | Bearing  | Ball type bearing                   |           |          |
|                | Material   | Body cover   | S.S. AISI 304L                      |           |          |
|                |  | Upper cover  | Grey Iron                           |           |          |
|                |  | Volute   | Grey Iron                           |           |          |
|                |  | Impeller   | HCR                                 |           |          |
|                |  | Wear Ring  | -                                   | -         | HCR      |
|                | M. seal  | Motor Side   | Carbon v/s Ceramic                  |           |          |
|                |  | Pump Side  | Silicon Carbide v/s Silicon Carbide |           |          |
| Motor          | Type   | Dry motor  |                                     |           |          |
|                | Insulation   | F Class  |                                     |           |          |
|                | Frequency  | 50 Hz  |                                     |           |          |
|                | Thermal Protector                                    | Automatic reset motor protector  |                                     |           |          |
|                | Material   | Stator body  | S.S. AISI 304L                      | Grey Iron |          |
|                |  | Shaft  | S.S. AISI 410                       |           |          |
|                |  | Cable  | Thermoplastic Rubber/PVC            |           |          |
| Protection     | IP 68  |  |                                     |           |          |
| Duty           | S1 - When pump is completely or partially submerged. |  |                                     |           |          |
| Voltage        | 1 Ph. 230 v +/-15%,<br>3 Ph. 400 v +/-15%            |  | 3 Ph. 400 v +/-15%                  |           |          |



## Performance Range

- Flow rate up to 2600 l/min. (156 m<sup>3</sup>/h)
- Dynamic head up to 57 m.

## Applications

- Civil engineering dewatering of tunneling and ground works, also for storm water sewers.
- Dewatering of fluids containing solid sediments.

## Features

- Specifically designed for civil engineering applications, where a heavy duty, light weight, top discharge design, is required which is easy to handle. The double outer casing, water cooled motor makes it particularly suitable for low water level applications.
- A water detector is provided in the seal chamber. In case of seal failure if water enters the seal chamber, a signal can be sent to the control panel so that the pump operator is made aware of a potential seal leakage problem.
- A fully waterproof IP 68 stainless steel structure, combined with a high grade silicon carbide double mechanical seals.
- The LAS range of pumps are compact, strong and easy to operate in any situation.
- Special designed high efficient and wear resistant HCR (High Chrome) impeller.
- Multi impeller design suitable from high head with small capacity to low head with large capacity of application requirement.
- Optional discharge connection (Hose, flange and thread connection)

## Direction of Rotation

- Clockwise as seen from the motor rear end.

## Special Features on Request

- Other voltages.
- Available in 60Hz.

## Miniature Thermal Protector

- Miniature Thermal Protector (MTP) is embedded in the windings of the motor. The MTP will transmit a signal to a control panel when windings temperature reaches a set point.

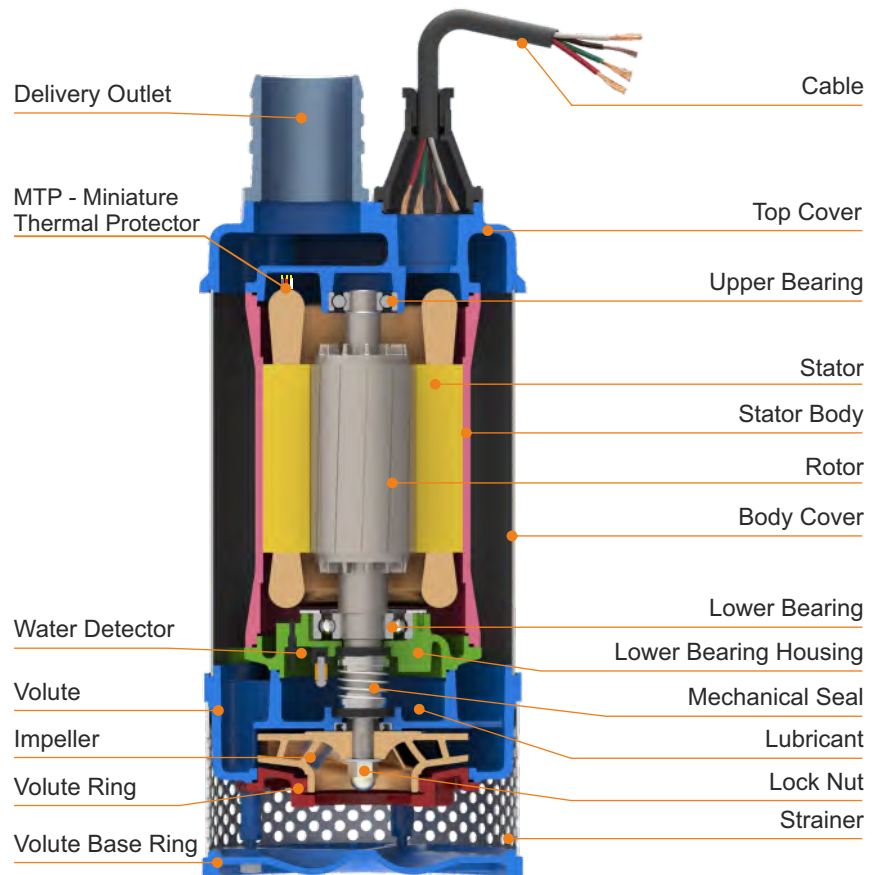
## HCR Impeller

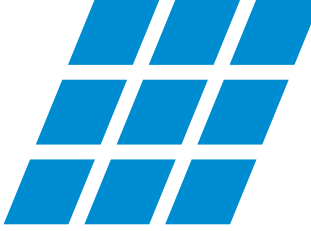
- The LAS impeller is manufactured with a high chrome alloy (HCR) steel with a hardness of 55 - 60 Rc., which makes it resistant to prolonged use in abrasive applications.



## Specification

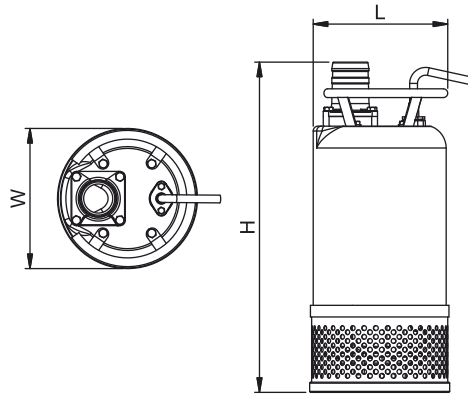
|                |  |  |   |
|----------------|--|--|---|
| HP             |  | 11 to 15 kW  |   |
| Diameter (mm)  |  | 100 - 150  |   |
| Pumping liquid | Ambient temp   | Max. +50°C   |   |
|                | Liquid temp  | 0°C to +50°C   |   |
|                | Liquid nature  | Suitable for dewatering at civil engineering sites and pumping of storm water. |   |
| Pump           | Structure  | Impeller   | Enclosed  |
|                |  | Mech. seal   | Double Mechanical seal  |
|                |  | Water detector   | Installed in the seal chamber to detect water leakage from water infiltrating |
|                |  | Bearing  | Ball type bearing   |
|                | Material   | Body cover   | S.S. AISI 304L  |
|                |  | Upper cover  | Grey Iron   |
|                |  | Volute   | Grey Iron   |
|                |  | Impeller   | HCR   |
|                |  | Wear Ring  | HCR   |
|                | M. seal  | Motor Side   | Carbon v/s Ceramic  |
| Pump Side      |  | Silicon Carbide v/s Silicon Carbide  |   |
| Motor          | Type   | Dry motor  |   |
|                | Insulation   | F Class  |   |
|                | Frequency  | 50 Hz  |   |
|                | Thermal Protector                                    | Miniature Thermal Protector  |   |
|                | Material   | Stator body  | Grey Iron   |
|                |  | Shaft  | S.S. AISI 410   |
|                |  | Cable  | Thermoplastic Rubber/PVC  |
|                | Protection   | IP 68  |   |
| Duty           | S1 - When pump is completely or partially submerged. |  |   |
| Voltage        | 3 Ph. 400 v +5/-15%                                  |  |   |





# Heavy-Duty Construction Drainage Pumps (1.5 HP to 5.0 HP)

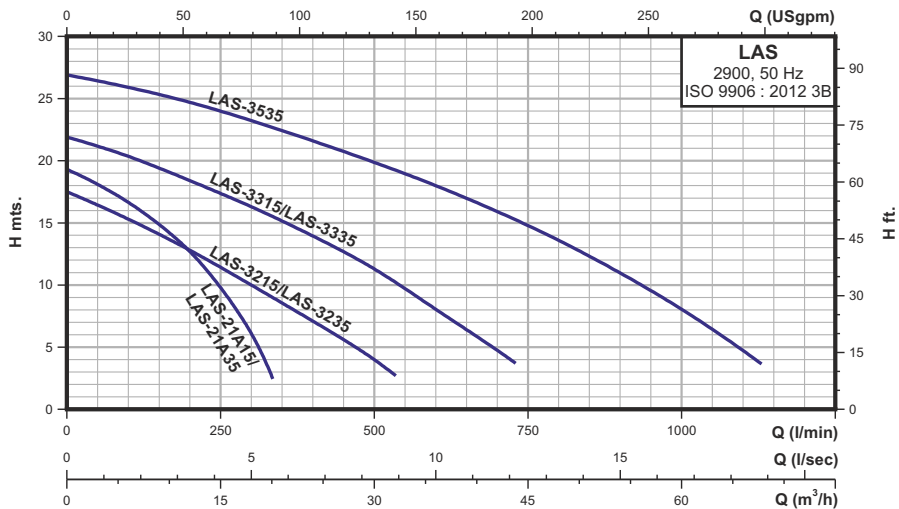
**LAS**



## DIMENSIONS

| Model            |                  | Disc. mm (Inch) | Dimensions (mm) |       |        | Solid Passage mm | Net Weight (kg.) | Gross Weight (kg.) | Volume (m <sup>3</sup> ) | Cable data cable x core x size (mm <sup>2</sup> ) x length (m) x Material         |
|------------------|------------------|-----------------|-----------------|-------|--------|------------------|------------------|--------------------|--------------------------|---|
| Single Phase     | Three Phase      |                 | Length          | Width | Height |                  |                  |                    |                          |   |
| LAS 21A15/21A15F | -                | 50 (2")         | 210             | 210   | 510    | 8                | 29.0             | 49.0               | 0.077                    | 1 x 3 x 1.0 x 5 x PVC   |
| -                | LAS 21A35/21A35F |                 | 210             | 210   | 435    | 8                | 25.0             | 45.0               | 0.068                    | 1 x 4 x 1.0 x 5 x PVC   |
| LAS 3215/3215F   | -                | 80 (3")         | 250             | 240   | 630    | 11               | 43.0             | 68.0               | 0.111                    | 1 x 3 x 2.0 x 8 x PVC   |
| -                | LAS 3235/3235F   |                 | 250             | 240   | 535    | 11               | 39.0             | 64.0               | 0.097                    | 1 x 4 x 1.8 x 8 x PVC   |
| LAS 3315/3315F   | -                | 80 (3")         | 250             | 240   | 645    | 11               | 47.0             | 72.0               | 0.113                    | 1 x 3 x 3.5 x 8 x PVC   |
| -                | LAS 3335/3335F   |                 | 250             | 240   | 560    | 11               | 42.0             | 67.0               | 0.101                    | 1 x 4 x 1.8 x 8 x PVC   |
| -                | LAS 3535         | 80 (3")         | 250             | 240   | 600    | 11               | 46.0             | 71.0               | 0.107                    | 1 x 4 x 1.8 x 8 x PVC   |
| -                | LAS 3735         | 80 (3")         | 290             | 290   | 690    | 10               | 74.0             | 102.0              | 0.150                    | 1 x 4 x 3.5 x 8 x PVC   |
| -                | LAS 4735         | 100 (4")        | 290             | 290   | 690    | 10               | 76.0             | 104.0              | 0.150                    | 1 x 4 x 3.5 x 8 x PVC   |
| -                | LAS 6735         | 150 (6")        | 290             | 290   | 745    | 10               | 78.0             | 106.0              | 0.160                    | 1 x 4 x 3.5 x 8 x PVC   |
| -                | LAS 41035        | 100 (4")        | 290             | 290   | 690    | 10               | 76.0             | 104.0              | 0.150                    | 1 x 4 x 3.5 x 8 x PVC   |
| -                | LAS 61035        | 150 (6")        | 290             | 290   | 745    | 10               | 80.0             | 108.0              | 0.160                    | 1 x 4 x 3.5 x 8 x PVC   |
| -                | LAS 41535        | 100 (4")        | 290             | 290   | 725    | 10               | 82.0             | 112.0              | 0.170                    | 1 x 7 x 6.0 x 8 x Thermoplastic rubber<br>1 x 3 x 0.75 x 8 x Thermoplastic rubber |
| -                | LAS 61535        | 150 (6")        | 290             | 290   | 785    | 10               | 86.0             | 116.0              | 0.180                    | 1 x 7 x 6.0 x 8 x Thermoplastic rubber<br>1 x 3 x 0.75 x 8 x Thermoplastic rubber |
| -                | LAS 42035        | 100 (4")        | 332             | 332   | 770    | 10               | 142.0            | 185.0              | 0.200                    | 1 x 7 x 6.0 x 8 x Thermoplastic rubber<br>1 x 3 x 0.75 x 8 x Thermoplastic rubber |

## PERFORMANCE CHART AT n = 2900 RPM FOR CONSTRUCTION DRAINAGE PUMP



## PERFORMANCE DATA AT n = 2900 RPM

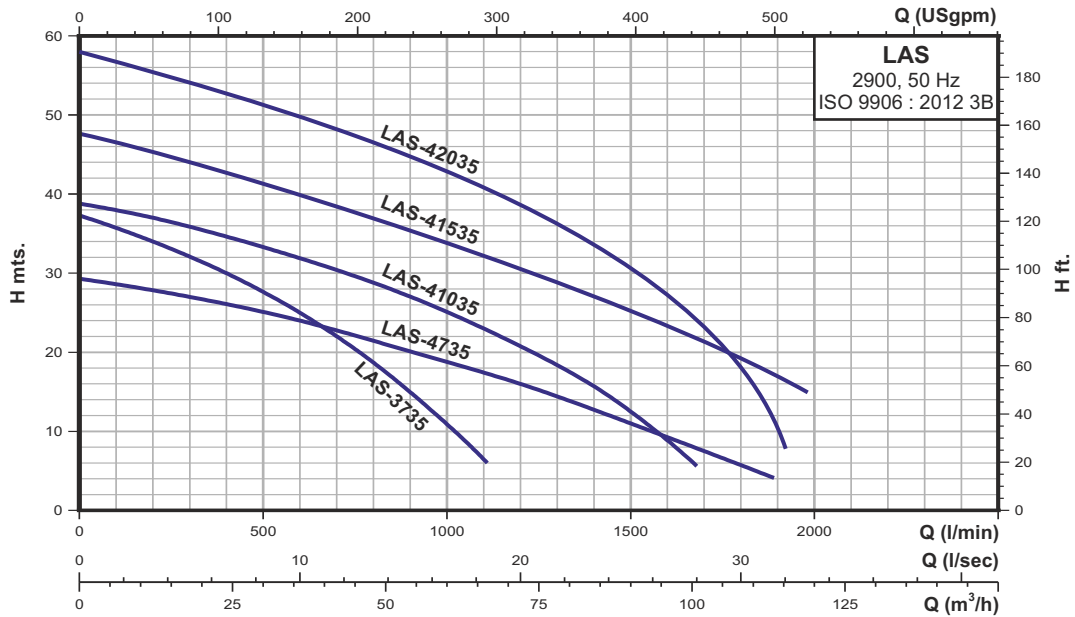
| Model            |                  | Power |     | Start Method | m <sup>3</sup> /h | 6   | 12  | 18  | 24  | 30  | 36  | 42  | 48  | 60   | 66   |      |      |      |      |      |    |     |      |   |     |
|------------------|------------------|-------|-----|--------------|-------------------|-----|-----|-----|-----|-----|-----|-----|-----|------|------|------|------|------|------|------|----|-----|------|---|-----|
| Single Phase     | Three Phase      | kW    | HP  |              |                   |     |     |     |     |     |     |     |     |      |      |      |      |      |      |      |    |     |      |   |     |
| LAS 21A15/21A15F | -                | 1.1   | 1.5 | Capacitor    | H<br>m            | 100 | 200 | 300 | 400 | 500 | 600 | 700 | 800 | 1000 | 1100 |      |      |      |      |      |    |     |      |   |     |
| -                | LAS 21A35/21A35F |       |     | Direct       |                   |     |     |     |     |     |     |     |     |      |      | 16.5 | 12.5 | 6    | -    | -    | -  | -   | -    | - |     |
| LAS 3215/3215F   | -                | 1.5   | 2.0 | Capacitor    |                   |     |     |     |     |     |     |     |     |      |      | 15.3 | 12.8 | 10   | 7    | 4    | -  | -   | -    | - | -   |
| -                | LAS 3235/3235F   |       |     | Direct       |                   |     |     |     |     |     |     |     |     |      |      | 20.3 | 18.4 | 16.4 | 14   | 12.5 | 8  | 5.5 | -    | - | -   |
| LAS 3315/3315F   | -                | 2.2   | 3.0 | Capacitor    |                   |     |     |     |     |     |     |     |     |      |      | 26   | 24.5 | 23.3 | 21.6 | 19.9 | 18 | 16  | 13.5 | 8 | 4.7 |
| -                | LAS 3335/3335F   |       |     | Direct       |                   |     |     |     |     |     |     |     |     |      |      | 26   | 24.5 | 23.3 | 21.6 | 19.9 | 18 | 16  | 13.5 | 8 | 4.7 |
| -                | LAS 3535         | 3.7   | 5.0 | Direct       |                   |     |     |     |     |     |     |     |     |      |      | 26   | 24.5 | 23.3 | 21.6 | 19.9 | 18 | 16  | 13.5 | 8 | 4.7 |

Note : Subscript "F" pumps will be provided with a float switch.





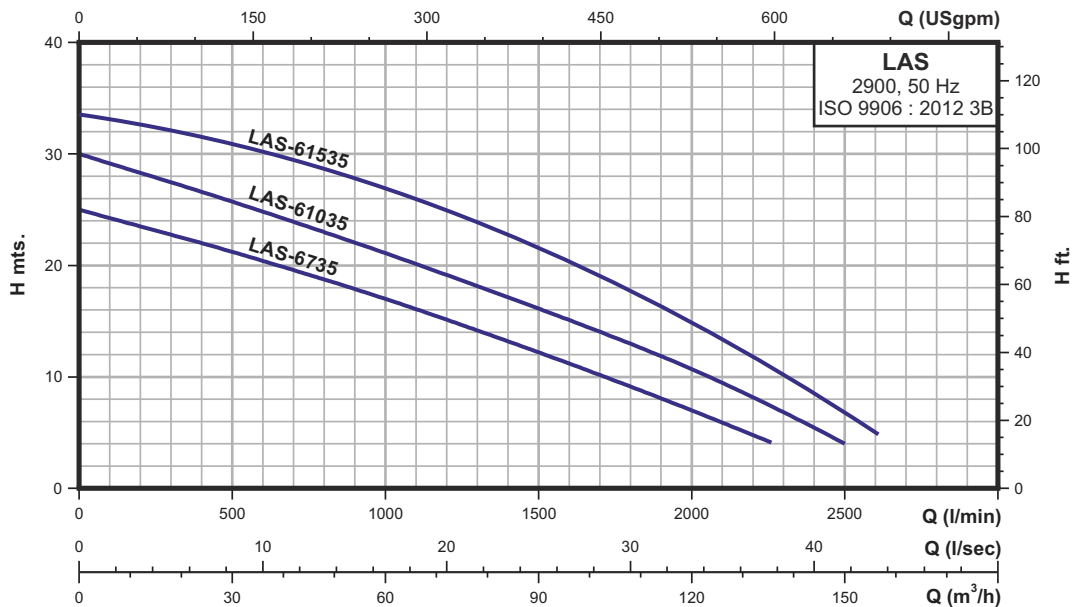
PERFORMANCE CHART AT n = 2900 RPM FOR CONSTRUCTION DRAINAGE PUMP



PERFORMANCE DATA AT n = 2900 RPM

| Model     | Power |      | Start Method | m³/h   | 12    | 18   | 24   | 30   | 36   | 48   | 54   | 60   | 66   | 72   | 84   | 96   | 108  |
|-----------|-------|------|--------------|--------|-------|------|------|------|------|------|------|------|------|------|------|------|------|
|           | kW    | HP   |              |        | l/min | 200  | 300  | 400  | 500  | 600  | 800  | 900  | 1000 | 1100 | 1200 | 1400 | 1600 |
| LAS 3735  | 5.5   | 7.5  | Direct       | H<br>m | 34.0  | 32.0 | 30.0 | 27.5 | 25.0 | 18.6 | 15.0 | 11.0 | 6.2  | -    | -    | -    | -    |
| LAS 4735  |       |      | Direct       |        | 27.9  | 27.0 | 26.0 | 25.0 | 24.0 | 21.5 | 20.0 | 18.8 | 17.5 | 16.0 | 12.7 | 9.20 | 5.7  |
| LAS 41035 | 7.5   | 10.0 | Direct       |        | 37.0  | 35.9 | 34.6 | 33.4 | 32.0 | 28.8 | 27.0 | 25.0 | 23.0 | 20.8 | 15.6 | 9    | -    |
| LAS 41535 | 11.0  | 15.0 | Y - Δ        |        | 45.3  | 44.0 | 42.7 | 41.3 | 39.9 | 37.0 | 35.4 | 33.8 | 32.2 | 30.5 | 27.0 | 23.3 | 19.3 |
| LAS 42035 | 15.0  | 20.0 | Y - Δ        |        | 55.5  | 54.0 | 52.8 | 51.2 | 50.0 | 46.5 | 44.8 | 42.8 | 40.8 | 38.6 | 33.7 | 27.0 | 8.0  |

PERFORMANCE CHART AT n = 2900 RPM FOR CONSTRUCTION DRAINAGE PUMP



PERFORMANCE DATA AT n = 2900 RPM

| Model     | Power |      | Start Method | m³/h   | 18    | 36   | 54   | 72   | 90   | 108  | 126  | 144  |
|-----------|-------|------|--------------|--------|-------|------|------|------|------|------|------|------|
|           | kW    | HP   |              |        | l/min | 300  | 600  | 900  | 1200 | 1500 | 1800 | 2100 |
| LAS 6735  | 5.5   | 7.5  | Direct       | H<br>m | 22.8  | 20.5 | 18.0 | 15.0 | 12.1 | 9.0  | 6.0  | -    |
| LAS 61035 | 7.5   | 10.0 | Direct       |        | 27.5  | 24.9 | 22.0 | 19.0 | 16.0 | 13.0 | 9.4  | 5.4  |
| LAS 61535 | 11.0  | 15.0 | Y - Δ        |        | 32.1  | 30.2 | 27.8 | 26.0 | 21.5 | 17.7 | 14.9 | 8.6  |





## LUBI INDUSTRIES LLP

Near Kalyan Mills, Naroda Road, Ahmedabad-380 025, INDIA.  
Phone : +91 - 79 - 61700100, Fax No. :+91 - 79 - 61700399.

**Sales Enquiries:** [indsales@lubipumps.com](mailto:indsales@lubipumps.com), [expsales@lubipumps.com](mailto:expsales@lubipumps.com)

**[www.lubipumps.com](http://www.lubipumps.com)**

*Product Improvement is a continuous process at 'LUBI'. The data given in this publication is therefore subject to revision.*

11.00.010419.0044



**Toll Free Service Hotline for India : 1800 419 3055**